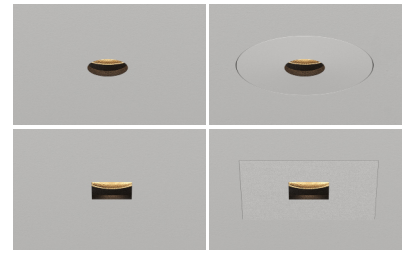


0 SERIES

FIXED IC REMODEL TRIMLESS

- Max output of 990Lm at 80+ CRI, 856Lm at 90+ CRI
- Available with trimless and zero sightline baffles, featuring 0.5" aperture
- IC Remodel is available for New Construction.
- Available for flange overlay applications. See separate spec sheet.

PROJECT NAME:	TYPE:
---------------	-------



ORDERING INFORMATION - FIXTURE

TRIM	RATING	TYPE	BAFFLE & MOUNTING	EXTERIOR FINISH	INTERIOR FINISH	CRI	WATTAGE	CCT	OPTIC	MEDIA	INSTALL TYPE	CEILING THICKNESS	DRIVER	
		F			BK						RR	1		
ORM 1/2" Round Micro	1 IP20 Dry/Damp	F Fixed	T Trimless	TRIMLESS TG Trimless Gypsum* *(Required for trimless gypsum)	BK Black		STATIC WHITE			NL No Lens* *(Not available for wet location)	RR IC Remodel Remodel* *(Suitable for use in new construction, rough-in tray and hanger bars included)	1 0.50" - 1.50"	REMOTE	
OSM 1/2" Square Micro	2 IP64 Wet				FINISH IMAGES ON PAGE 2	80S 80+ CRI 90S 90+ CRI 95S 95+ CRI	06C 6W, 490 Lm 11C 11W, 745 Lm 15C 15W, 990 Lm	24 2400K* *(90 CRI only) 27 2700K 30 3000K 35 3500K 40 4000K	20 20° 30 30° 40 40°	01 Clear Media 02 Soft Focus Media* *(Required for 20° Optic)			PH1 Forward / Reverse Phase, 2%, 120V SG3 eldoLED, ECOdrive 1%, 0-10V, LOG, 120V-277V EG1 eldoLED, SOLOdrive 0.1% 0-10V, LOG, 120V-277V ED1 eldoLED, SOLOdrive 0.1% DALI-2, LOG, 120V-277V AS1 Athena Control eldoLED, SOLOdrive 0.1%, 120V-277V* *(Includes Athena Node. Extended lead time, consult factory) LP1 Lutron, Hi-Lume Premier Ecosystem 0.1% Fade to Black, 120V or 277V LX1 eldoLED, SOLOdrive 0.1% DMX, LOG, 120V-277V HUB Separate Remote Power Supply and Distribution Hub, Powers up to 6 Fixtures* *(Requires further specification on page 2) BUD Combined Remote Power Distribution, Powers up to 6 Fixtures* *(Requires further specification on page 2)	
			G Zero Sightline Gypsum	POWDERCOAT WH White AG Satin Silver AU Cashmere Gold AB Architectural Bronze BB Burnt Bronze BK Black SB Specular Black PR Primer CF Custom Finish* *(Consult Factory) ALUMINA 01 Brushed Obsidian 02 Matte Obsidian 03 Brushed Dark Patinated Bronze 04 Matte Dark Patinated Bronze 05 Brushed Aged Aluminum 06 Matte Aged Aluminum 07 Brushed Cast Brass 08 Matte Cast Brass 09 Brushed Light Patinated Bronze 10 Matte Light Patinated Bronze		90L 90+ CRI	WARM DIM 11D 11W Incandescent Profile 15D 15W Incandescent Profile 11W - 384 Lm 15W - 508 Lm Halogen Profile 11W - 406 Lm 15W - 540 Lm		WL 2700K-1800K WD 3000K-1800K	40 40°	03 Warm Dim Diffusion Media* *(Required for Warm Dim)			LOW VOLTAGE SYSTEM LVS Low Voltage System* *(See page 8 for specification information) CONSULT FOR 0-10V LINEAR OR CASAMBI DRIVER OPTIONS
							DELIVERED LUMEN OUTPUTS 80CRI OR WARM DIM, 3000K, 40° OPTIC, AND NO LENS.							

PART NUMBER NOTES

- Fixture ships as e.g., 0RM1FTTGAUBK90S15C3540NLRR1SG3
- Housing, driver, trim, and applique ship as one unit



0 SERIES FIXED IC REMODEL TRIMLESS

DISTRIBUTED POWER ACCESSORIES

CONFIGURATION - REQUIRED FOR 'HUB' AND 'BUD' DRIVER SPECIFICATION

ASSEMBLY	QTY	WATTAGE	REMOTE DRIVER
HUB Separate Remote Power Supply and Distribution Hub	2X 2 Fixtures 3X 3 Fixtures 4X 4 Fixtures 5X 5 Fixtures 6X 6 Fixtures	06W 6 Watts 11W 11 Watts 15W 15 Watts	PH1 Forward/Reverse Phase, 2%, 120V SG5 eldoLED, ECOdrive 1%, 0-10V, LOG, 120V-277V EG1 eldoLED, SOL0drive 0.1% 0-10V, LOG, 120V-277V ED1 eldoLED, SOL0drive 0.1% DALI-2, LOG, 120V-277V AS1 Athena Control, eldoLED, SOL0drive, 0.1%, 120V-277V* <small>*(Includes Athena Node. Extended lead time, consult factory)</small>
BUD Combined Remote Power Distribution			

COMPATIBILITY BY DRIVER TYPE AND QUANTITY

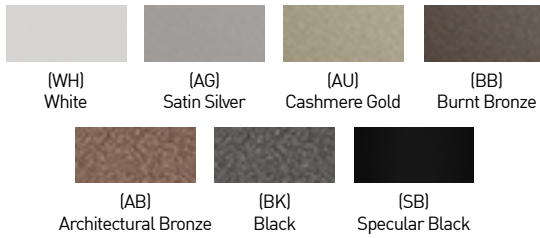
DRIVER	2 FIXTURES			3 FIXTURES			4 FIXTURES			5 FIXTURES			6 FIXTURES		
	06W	11W	15W	06W	11W	15W	06W	11W	15W	06W	11W	15W	06W	11W	15W
PH1	✓	✓	✓	✓	✓	✓	✓	✓	✓	✓	✓	✓	✓	✓	✓
SG5	✓	✓	✓	✓	✓	✓	✓	✓	✓	✓	✓	✓	✓	✓	✓
EG1/ED1	✓	✓	✓	✓	✓	✓	✓	✓	✓	✓	✓	✓	✓	✓	✓
AS1	✓	✓	✓	✓	✓	✓	✓	✓	✓	✓	✓	✓	✓	✓	✓

PART NUMBER NOTES

- HUB and BUD assemblies are ordered as separate line item from fixtures. See pages 6-7 for additional details.

FINISHES

POWDERCOAT FINISHES



ALUMINA FINISHES BY LUCIFER LIGHTING™



ACCESSORIES

REPLACEMENT OPTICS

Interchangeable optics accessible through fixture aperture with baffle removal.

STATIC WHITE

WARM DIM

- RO-17-20** 20° optic
- RO-17-30** 30° optic
- RO-17-40** 40° optic
- RO-17-40-W** 40° optic

REPLACEMENT INSTALLATION TOOLS

One included with every six fixtures.

- 01S-TOOL-BAFFLE-REMOVAL** Allows for baffle removal

HANGER BAR EXTENDER KIT

Extends hanger bars from 24.0" to 46.0" maximum.

- FRX-HBE-46** Extender, Hanger Bar

REPLACEMENT BAFFLE ASSEMBLY (INCLUDES MEDIA)

ASSEMBLY	SHAPE	RATING	TYPE	BAFFLE	EXTERIOR FINISH	INTERIOR FINISH	MEDIA
RBA			F			BK	
REPLACEMENT BAFFLE ASSEMBLY	ORM Round OSM Square	1 IP20 Dry/Damp 2 IP64 Wet	F Fixed	T Trimless G Zero Sightline Gypsum M Zero Sightline Millwork	TG Trimless Gypsum WH White AG Satin Silver AU Cashmere Gold AB Arch. Bronze BB Burnt Bronze BK Black PR Primer CF Custom Finish* <small>*(Consult Factory) **See page 1 for Alumina finish options</small>	BK Black	NL No Lens* <small>*(Not available for wet location)</small> 01 Clear Glass Media 02 Soft Focus Media* <small>*(Required for 20° Optic)</small> 03 Warm Dim Diffusion Media* <small>*(Required for Warm Dim)</small>

EMERGENCY LIGHTING - REMOTE MOUNT ONLY

During disruption of main power, emergency battery inverter provides temporary 120V or 277V to fixture.

- EMB-S-25-120/277-LEDX** 25 watt max capacity, 120 or 277 VAC 60Hz, Non-Dimmable
- EMB-S-100-120-LEDX** 100 watt max capacity, 120 VAC 60Hz, 0-10V Dimmable
- EMB-S-100-277-LEDX** 100 watt max capacity, 277 VAC 60Hz, 0-10V Dimmable
- EMB-S-250-120/277-LEDX** 250 watt max capacity, 120 or 277 VAC 60Hz, 0-10V Dimmable

***CONSULT FACTORY FOR USE WITH WIRELESS CONTROLS.**

0 SERIES FIXED IC REMODEL TRIMLESS

PERFORMANCE - 3000K

LUMEN PACKAGE	WATTS	20° OPTIC Soft Focus Media		30° OPTIC No Lens		40° OPTIC No Lens	
		DLVD	LPW	DLVD	LPW	DLVD	LPW
80S06C	6	234	39	407	68	490	82
80S11C	11	357	32	620	56	745	68
80S15C	15	474	32	824	55	990	66
90S06C	6	203	34	352	59	423	71
90S11C	11	309	28	536	49	644	59
90S15C	15	410	27	712	47	856	57
95S06C	6	146	24	253	42	304	51
95S11C	11	222	20	385	35	463	42
95S15C	15	295	20	512	34	615	41
90L11DL (27K-18K)	11	-	-	-	-	384	37
90L11DD (30K-18K)	11	-	-	-	-	406	37
90L15DL (27K-18K)	15	-	-	-	-	508	34
90L15DD (30K-18K)	15	-	-	-	-	540	36

OUTPUT MULTIPLIER

CCT	CCT SCALE
2400K	0.89
2700K	0.98
3000K	1.00
3500K	1.09
4000K	1.14

MEDIA LIGHT LOSS MULTIPLIER

MEDIA	LIGHT LOSS FACTOR
NO LENS	1.00
LENS	0.93

FINISH MULTIPLIER

CCT	CCT SCALE
WHITE	1.00
BLACK	0.98
SPECULAR BLACK	0.98

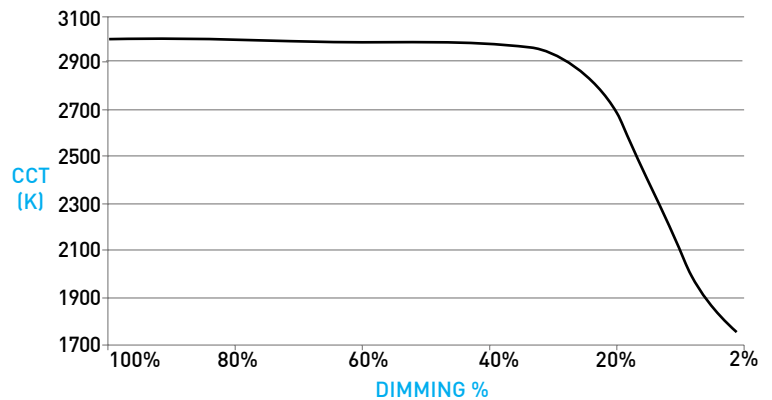
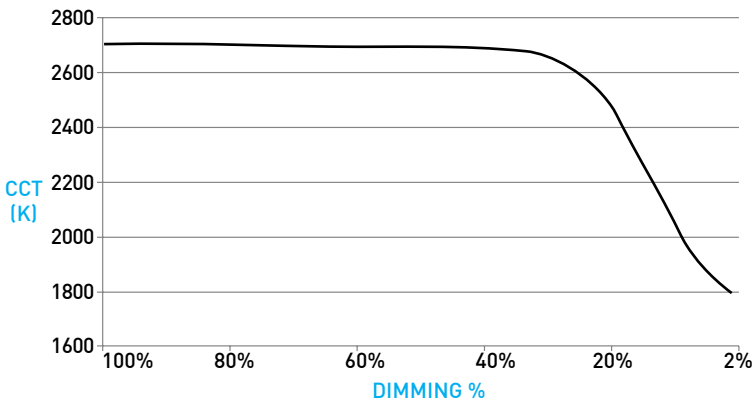
WARM DIM PERFORMANCE - 40° OPTIC

INCANDESCENT PROFILE - ZERO SIGHTLINE

	Full on 100%	Dimmed to 80%	Dimmed to 70%	Dimmed to 50%	Dimmed to 20%	Dimmed to 10%	Dimmed to 2%
90L11DL 2700K - 1800K							
CCT (K)	2700K	2700K	2700K	2700K	2200K	1900K	1800K
Light Output (Lm)	384	307	269	192	77	38	8
Power (W)	11	8.8	7.7	5.5	2.2	1.1	0.2
Efficacy (LPW)	37	37	37	37	37	37	37
90L15DL 3000K - 1800K							
CCT (K)	2700K	2700K	2700K	2700K	2450K	1900K	1800K
Light Output (Lm)	508	406	356	254	102	51	10
Power (W)	15	12	10.5	7.5	3	1.5	0.3
Efficacy (LPW)	37	37	37	37	37	37	37

HALOGEN PROFILE - ZERO SIGHTLINE

	Full on 100%	Dimmed to 80%	Dimmed to 70%	Dimmed to 50%	Dimmed to 20%	Dimmed to 10%	Dimmed to 2%
90L11DD 3000K - 1800K							
CCT (K)	3000K	3000K	3000K	3000K	2300K	1850K	1800K
Light Output (Lm)	406	325	284	203	81	41	8
Power (W)	11	8.8	7.7	5.5	2.2	1.1	0.2
Efficacy (LPW)	36	36	36	36	36	36	36
90L15DD 3000K - 1800K							
CCT (K)	3000K	3000K	3000K	3000K	2700K	1900K	1800K
Light Output (Lm)	540	432	378	270	108	54	11
Power (W)	15	12	10.5	7.5	3	1.5	0.3
Efficacy (LPW)	36	36	36	36	36	36	36



NOTE: LIN-TO-LIN 0-10V PAIRING NOT COMPATIBLE WITH WARM DIM.

0 SERIES FIXED IC REMODEL TRIMLESS

DOWNLIGHT / HOUSING

A HIGH/LOW WATTAGE REMODEL HOUSING

- For RR installation types.
- IC-rated heatsink, does not have any setback requirements from combustible and non-combustible materials.
- High wattage housing features 2.00" tall heat sink and is available for 15W packages.
- Low wattage housing features 1.25" tall heat sink and is available for 6W and 11W packages only.

B LIGHT ENGINE

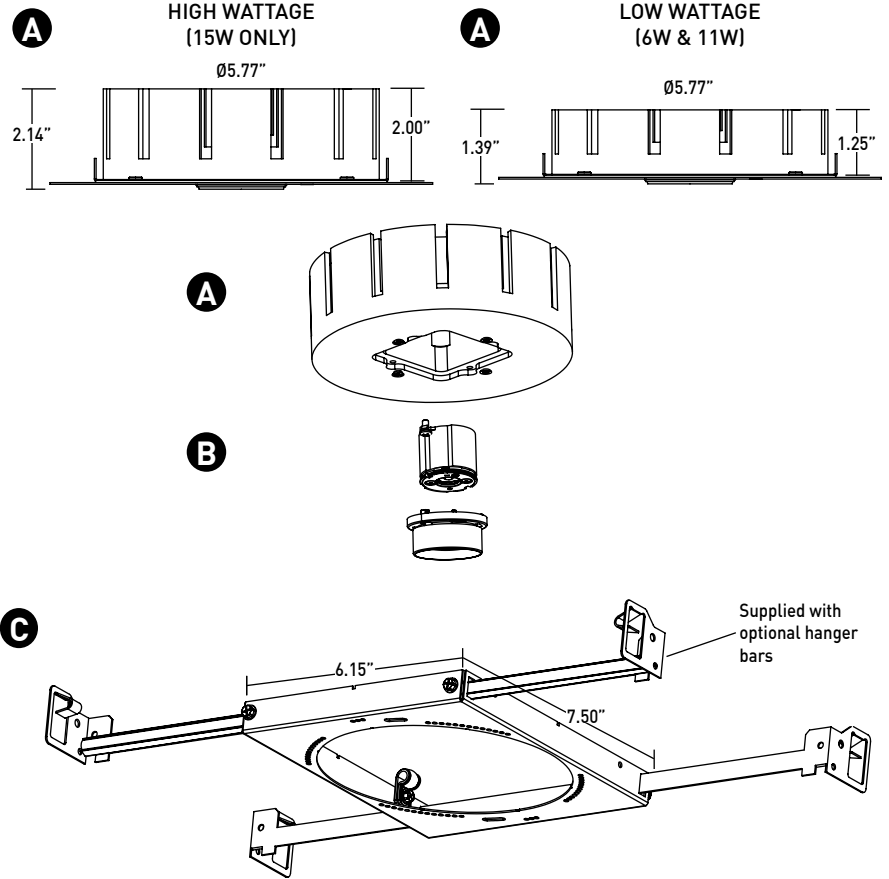
Robust light engine with optimized optic pairing integrates Reflection, Refraction, and TIR offering 20°, 30°, and 40° beams.

C REMODEL MOUNTING PLATE / ROUGH-IN TRAY

Tray is supplied with optional hanger bars (uninstalled). Mounting holes align with applique, ensuring secure fixture mounting via factory supplied screws.

- **IC Remodel:** Installs above ceiling without hanger bars, requiring $\varnothing 6.61$ cutout. Rectangular design (6.15" x 7.50" mm) allows for installation above ceiling after cutout
- **IC New Construction:** Install hanger bars using factory supplied screws, using tray opening as cutout guide after ceiling installation. Hanger bars extend to 24".

DIMENSIONS / DRAWINGS



REMODEL NOTES

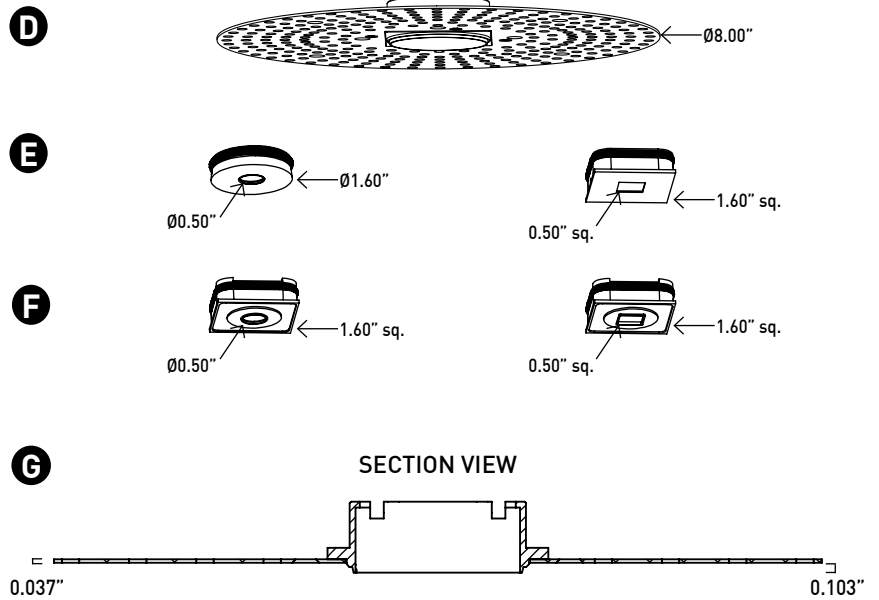
- Do not install Remodel fixtures in environments where ambient temperatures exceed 40°C (104°F).
- Power supply compartment and all splice connections may be serviced from room side.
- Remodel fixtures accommodate ceiling thicknesses between 0.50" and 1.50".

0 SERIES FIXED IC REMODEL TRIMLESS

DOWNLIGHT / HOUSING

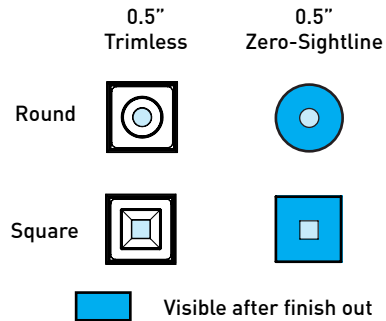
- D ZERO-SIGHTLINE / TRIMLESS DRYWALL PROFILE**
Installs totally flush with the ceiling with no visible trim. Appliqué includes screws for mounting and has 0.06" plaster stop. Not recommended for stucco applications.
- E ZERO-SIGHTLINE FACEPLATE / BAFFLE**
CNC-Milled removable baffle provides 64° glare cutoff. Minimizes aperture glare and conceals view into housing; includes gasket. Exterior faceplate available in powdercoat finishes; interior finish is black powdercoat.
- F TRIMLESS BAFFLE**
CNC-Milled baffle provides 61° glare cutoff. Minimizes aperture glare and conceals view into housing; includes gasket. Baffle shape is square for both round and square apertures. Only 0.5" inner aperture is visible after mud-in. **1.7" square ceiling break required for LED/driver servicing.**
- G APPLIQUÉ DETAIL**
Appliqué for plaster floating directly to baffle.

DIMENSIONS / DRAWINGS



PARTS CONFIGURATION MATRIX

CONFIGURATION	PARTS
0.5" TRIMLESS GYPSUM	D, F
0.5" ZERO-SIGHTLINE GYPSUM	D, E



0 SERIES FIXED IC REMODEL TRIMLESS

DOWNLIGHT / HOUSING

H REMOTE REMODEL APPLICATIONS

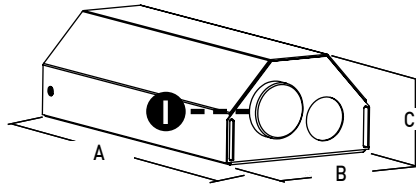
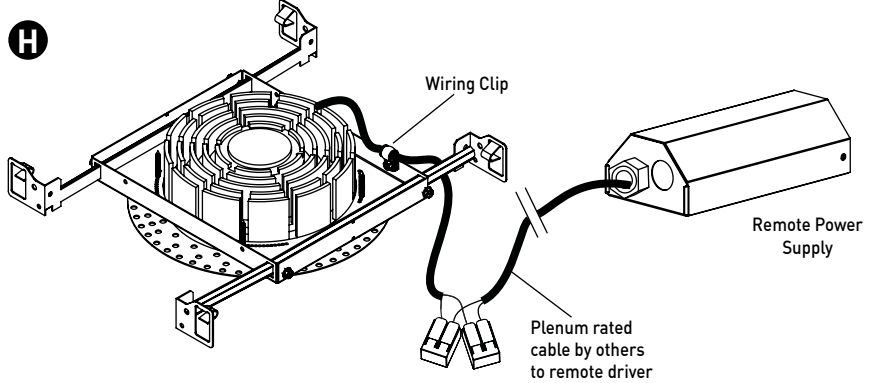
- Remote power supply included with "RR" Install Type
- Requires plenum rated Class 2 cable between fixture and remote driver. Cable supplied by others.
- Lever connectors provided for remote power supply connection.
- See page 9 for maximum allowable wiring distances.

I ATHENA CONTROL

Controls integrated Remote driver assembly. All equipment is serviceable.

Athena Model Numbers: A-WN-D01-RF-BL & DFC-OEM-DBI

DIMENSIONS / DRAWINGS



	A	B	C
PHASE / 0-10V / DALI / ECOSYSTEM / DMX	6.94"	3.35"	2.00"
ATHENA	8.10"	5.00"	2.00"

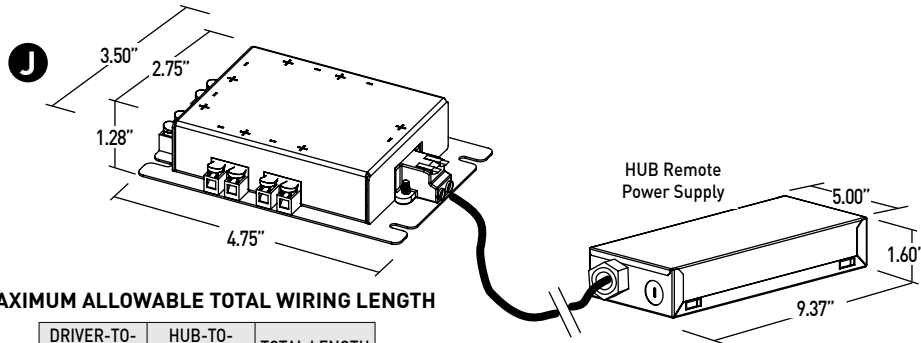
DISTRIBUTED POWER ACCESSORY

J HUB (SEPARATE COMPONENTS)

Included with "HUB" driver selection. Allows for multi-fixture power distribution from one remote power supply to a maximum of 6 fixtures. Connectable fixture quantity is specified in fixture part number on page 2. Hub base plate allows for structural mounting and wiring during rough-in. Wiring distances for HUB based on quantity featured in figure J.

Model Number e.g.: HUB2X15W-PH1

DIMENSIONS / DRAWINGS



MAXIMUM ALLOWABLE TOTAL WIRING LENGTH

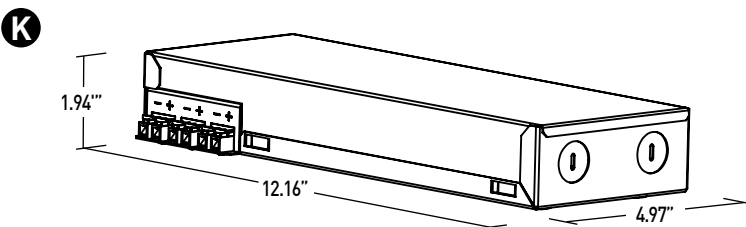
DRIVER-TO-HUB AWG	HUB-TO-FIXTURE AWG	TOTAL LENGTH
18	18	150'
16	16	200'
14	14	250'
12	18	400*
12	16	450*
12	14	500*

*Total length requires 250' 12AWG Driver-to-Hub wiring

K BUD (COMBINED ASSEMBLY)

Included with "BUD" driver selection. Allows for multi-fixture power distribution from combined remote power distribution assembly to a maximum of 6 fixtures. Connectable fixture quantity is specified in fixture part number on page 2. BUD base plate allows for structural mounting and wiring during rough-in. Wiring distances for BUD based on quantity featured in figure K.

Model Number e.g.: BUD4X11W-SG5

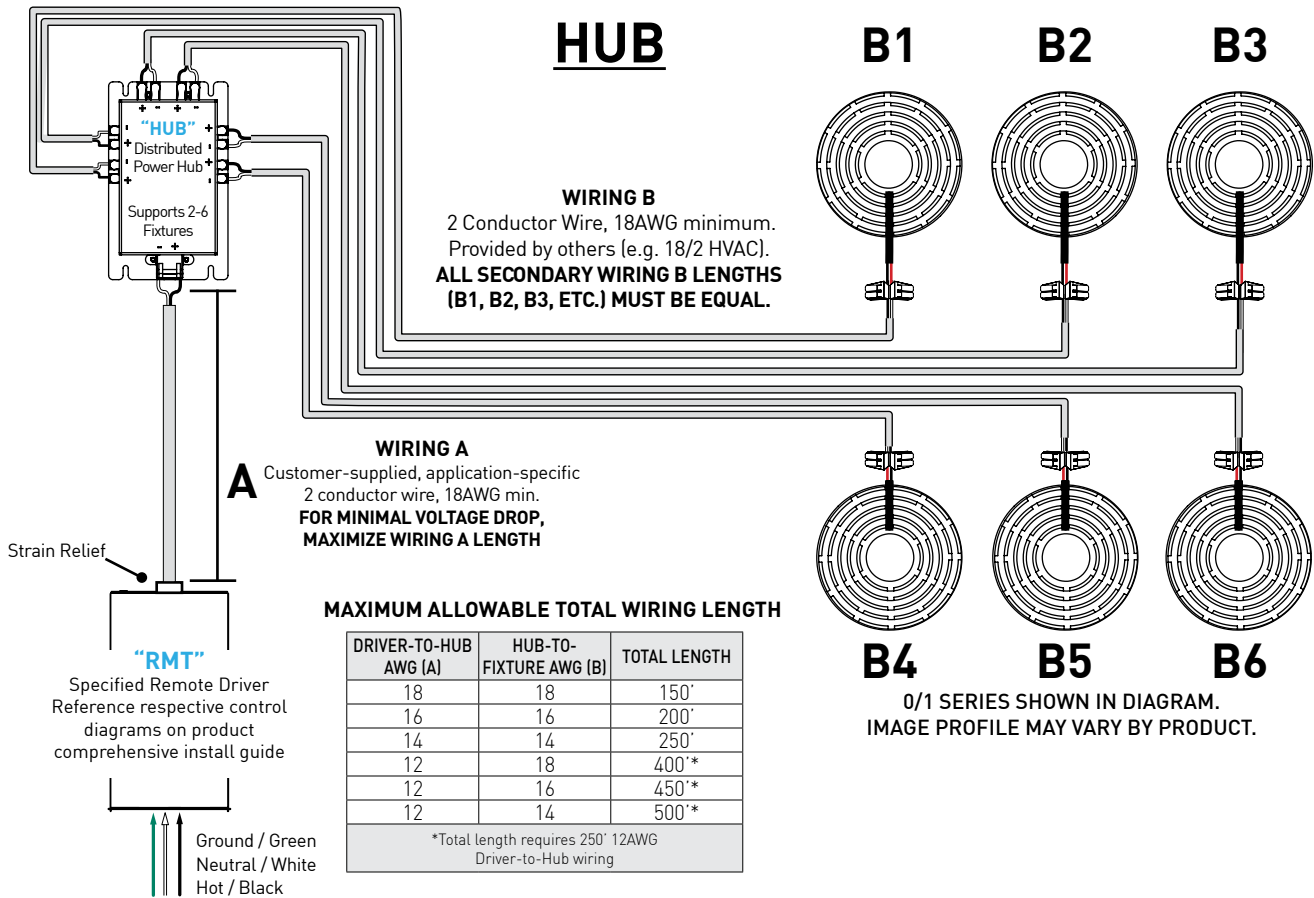


MAXIMUM ALLOWABLE TOTAL WIRING LENGTH

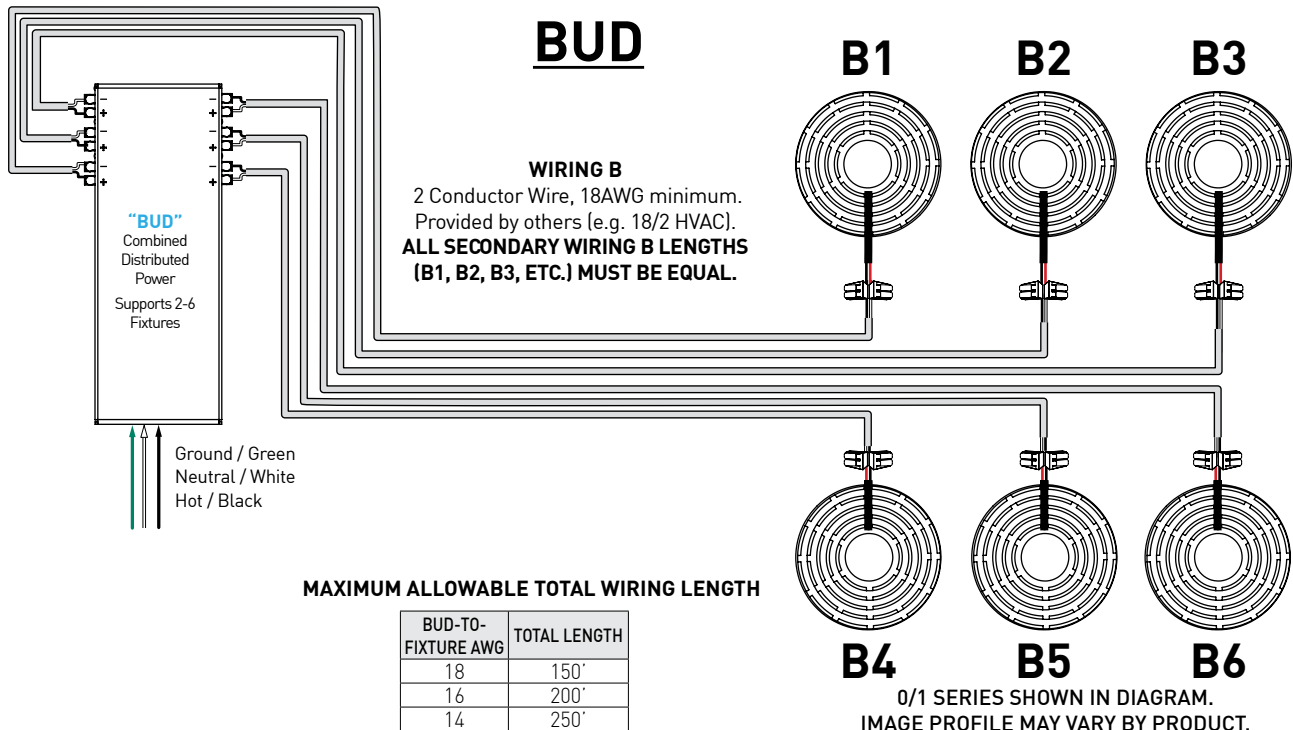
BUD-TO-FIXTURE AWG	TOTAL LENGTH
18	150'
16	200'
14	250'

0 SERIES FIXED IC REMODEL TRIMLESS

HUB WIRING DETAILS



BUD WIRING DETAILS



0 SERIES FIXED IC REMODEL TRIMLESS

LOW VOLTAGE SYSTEM (LVS) SPECIFICATION NOTES

- Customers are responsible for ensuring power supply drive current is set to correct values shown below in the drive current specifics section.
- Customers must ensure voltage range of the proposed power supply encompasses the fixtures complete Vf range, both maximum and minimum, and can be set to the required mA drive current. If assistance is required contact your manufacturers representative or the factory.
- Lucifer Lighting is not responsible for confirming dimming compatability between power supplies and control systems / dimmers.
- Lucifer Lighting will not ship fixtures with a power supply supplied by others inside the fixture.
- Consult power supply manufacturer for maximum remote wiring distances.
- Housing and Fixture feature 18 AWG wiring.
- Wiring connections are made in the splicing compartment using customer supplied connectors, ex. wire nuts, push-in connectors, or terminal blocks.
- LVS Housings and Fixtures supplied by Lucifer Lighing are UL 2108 Listed.

DRIVE CURRENT SPECIFICS

	80S / 90S / 95S			90L	
	06C	11C	15C	11D	15D
Minimum Vf	31	31	31	33	33
Maximum Vf	37	37	37	38	38
Current mA	150	250	350	250	350
Wattage W	5.0	8.5	11.8	8.9	12.5

0 SERIES FIXED IC REMODEL TRIMLESS

TECHNICAL

CONSTRUCTION

Downlight: Painted finishes are granulated powder coat; Alumina finishes are anodized aluminum.

Housing: Forged aluminum heat-sink.

Remote Power Supply: 22 Gauge galvanized steel.

Appliqué: Aluminum base with 22 Gauge galvanized steel flange.

STATIC WHITE LED

2-step MacAdam ellipse LED module available in 80+, 90+ and 95+ CRI configurations in color temperatures of 2700K, 3000K, 3500K and 4000K. 3-step MacAdam ellipse LED module available in 90+ CRI configuration in color temperature of 2400K. Average rated lamp life: 50,000 hours. LED and driver assemblies are field-replaceable.

WARM DIM LED

3-step MacAdam ellipse warm dim LED module available in 90+ CRI configuration 3000K or 2700K at full brightness, warming to 1800K at full dim. Average rated lamp life of 50,000 hours. LED and driver assemblies are field-replaceable.

POWER SUPPLY PERFORMANCE AND DIMMING INFORMATION

	PHASE	0-10V		ECO	DALI-2	ATHENA	DMX
Power Supply	PH1	SG3	EG1	LP1	ED1	AS1	LX1
Minimum °C	-20 °C	-20 °C	-20 °C	0 °C	-20 °C	0 °C	-40 °C
Maximum °C	40 °C	40 °C	40 °C	40 °C	40 °C	40 °C	40 °C
Dimming %	2.0%	1.0%	0.1%	0.1%	0.1%	0.1%	0.1%

Note: For PH1, LP1, EG1 and EN1 drivers consult chart on page 10 to confirm appropriate dimming curve for compatibility with selected control.

MAXIMUM ALLOWABLE REMOTE DRIVER WIRING DISTANCES (SINGLE FIXTURE, SINGLE DRIVER)

DRIVER	WIRE AWG				
	12	14	16	18	20
PH1	285'	180'	113'	71'	45'
LP1	60'	40'	25'	15'	-
EG1, EN1, ED1, SG3, SN3, AS1, CS1, AD1, CD1	-	-	118'	72'	46'

LISTING

Fixtures listed to UL 1598 for Dry / Damp and Wet Locations, and are NEMA 410 compliant.

LVS designated fixtures are listed to UL 2108.

BUY AMERICAN ACT / BUILD AMERICA BUT AMERICA

Buy American Act (BAA) and Build America Buy America (BABA) compliant.

WEIGHT

1.25" Remodel Housing - 3 lbs

2.00" Remodel Housing - 4 lbs

Remote Driver - 1.4 lbs

HUB - 0.73lbs

LIMITED WARRANTY

Manufacturer's Limited Warranty guarantees product(s) listed to be free from defects in material and workmanship under normal use and service for 1-year. LED and power supplies are warranted to operate with 70% of original flux and remain within a range of 3 duv for a period of 5-years.

10-year Lutron Advantage limited warranty available on Lutron equipped systems. Warranty period begins from the date of shipment by Seller.

[Consult website for full warranty terms and conditions.](#)

CHANGE LOG

- 05/06/2025: ADDED WARM DIM AND DISTRIBUTED POWER PRODUCT OFFERINGS.
- 12/09/2025: ADDED LVS OFFERING.
- 02/26/2026: ADDED BUD POWER SUPPLY
- 06/23/2026: ADDED DMX POWER SUPPLY
- 06/23/2026: DISCONTINUED LINEAR 0-10V AND CASAMBI DRIVER OFFERINGS.



0 SERIES FIXED IC REMODEL TRIMLESS

DIMMING COMPATIBILITY

PHILIPS DRIVER COMPATIBILITY

Power supply PH1 Manufacturer	Family/Model #
Lutron Electronics	DV-600P
Lutron Electronics	DVELV-303P
Lutron Electronics	NTELV-600
Lutron Electronics	MAELV-600
Lutron Electronics	SELV-300P
Lutron Electronics	DVLV-600P
Lutron Electronics	NFTU-5A
Lutron Electronics	CTCL-153P
Lutron Electronics	GL-600H
Lutron Electronics	S-600P
Lutron Electronics	PHPM

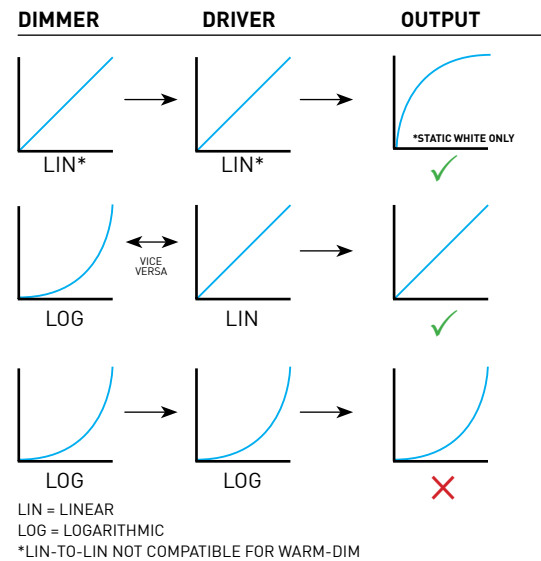
LUTRON DRIVER COMPATIBILITY

Power supply LP1 Lutron Product Family	Part No.
PowPak Dimming Modules	RMJ-EC032-DV-B
PowPak Dimming Modules	FCJ/FCJS-ECO
Energi Savr Nodes	QSN-1ECO-S
GRAFIK Eye QS control unit	QSN-2ECO-S
Homeworks QS control unit	QSN-2ECO-S
GRAFIK Eye QS control unit	QSGRJ- _E (wireless)
Homeworks QS control unit	QSGR- _E
Quantum Hub	QP2-__ _2C
Quantum Hub	QP2-__ _4C
Quantum Hub	QP2-__ _6C
Quantum Hub	QP2-__ _8C
Homeworks QS power module	LQSE-2ECO-D
myRoom Plus power module	LQSE-2ECO-D



Power supply EG1 / SG3 Manufacturer	Family/Model #
Busch-Jaeger	2112U-101
Jung	240-10
Leviton Lighting Controls	IP710-DLX
Lightolier Controls	ZP600FAM120
Merten	5729
Pass & Seymour	CD4FB-W
The Watt Stopper	DCLV1
Synergy	ISD BC
Crestron®	GLX-DIMFLV8
Crestron®	GLXP-DIMFLV8
Crestron®	GLPAC-DIMFLV4-*
Crestron®	GLPAC-DIMFLV8-*
Crestron®	GLPP-DIMFLVEX-PM
Crestron®	GLPP-1DIMFLV2EX-PM
Crestron®	GLPP-1DIMFLV3EX-PM
Crestron®	DIN-A08
Crestron®	DIN-4DIMFLV4
Crestron®	CLS-EXP-DIMFLV
Crestron®	CLCI-1DIMFLV2EX

ANALOG DRIVERS AND DIMMERS



DMX DIMMING INFORMATION

- Fixtures do not ship pre-addressed; fixture addressing is completed by the installer or a commissioning contractor via RDM.
- All fixtures are RDM compatible.
- DMX Channel Count:
 - Static White / Warm Dim: 1
 - Tunable White: 2; Channel 1 Warm and Channel 2 Cool
- DMX run termination provided by others.
- DMX Connection Type: Pigtail
- DMX Color Scheme:
 - DMX+: Yellow
 - DMX-: Pink
 - DMX Shield: Orange
- Installation may require shielded cable if EMI is present.
- Fixture Default Mode: FULL ON
- Fixture Fail Mode: ON 10% DIMMED