

# MONOPOINT INTERNATIONAL CM2 HANG STRAIGHT

An innovative solution for sloped ceilings, this monopoint “hang straight” can suspend with a rigid stem up to 4’ in length, for ceiling pitches up to 45° while still allowing for a full 90° tilt.

PROJECT NAME:	TYPE:
---------------	-------



## ORDERING INFORMATION - MONOPOINT

CYLINDER	LENGTH	FIXTURE	BODY FINISH	BAFFLE FINISH	STEM FINISH	CRI / WATTAGE PACKAGE	CCT	OPTIC (UGR)	DRIVER	MEDIA	MOUNTING
<b>CM2</b>		<b>HS1</b>									<b>E</b>
CM2 83mm	<b>LENGTHS</b> <b>SL</b> 3" Standard <b>24</b> 24" <b>48</b> 48"  <b>24" AND 48" STEMS ARE FIELD CUTTABLE. 3" STANDARD LENGTH STEM IS MINIMUM LENGTH.</b>	<b>ADJUSTABLE DRY / DAMP</b>  <b>HS1</b> Adjustable 90° Fixture Tilt, Max ceiling pitch 12/12 [45°]	<b>POWDERCOAT</b>  <b>WH</b> White <b>BK</b> Black <b>AB</b> Architectural Bronze <b>AG</b> Satin Silver <b>AU</b> Cashmere Gold <b>BB</b> Burnt Bronze <b>CF</b> Custom Finish* <small>*(Consult Factory)</small>  <b>ALUMINA</b> <b>01</b> Brushed Obsidian <b>02</b> Matte Obsidian <b>03</b> Brushed Dark Patinated Bronze <b>04</b> Matte Dark Patinated Bronze <b>05</b> Brushed Aged Aluminum <b>06</b> Matte Aged Aluminum <b>07</b> Brushed Cast Brass <b>08</b> Matte Cast Brass <b>09</b> Brushed Light Patinated Bronze <b>10</b> Matte Light Patinated Bronze  <b>ALUMINA NOT RECOMMENDED FOR EXTERIOR APPLICATIONS, FINISHES ARE NOT UV RATED</b>	<b>POWDERCOAT</b>  <b>WH</b> White <b>BK</b> Black <b>AB</b> Architectural Bronze <b>AG</b> Satin Silver <b>AU</b> Cashmere Gold <b>BB</b> Burnt Bronze <b>CF</b> Custom Finish* <small>*(Consult Factory)</small>  <b>ALUMINA</b> <b>CONSULT FACTORY FOR ALUMINA FINISHES</b>	<b>POWDERCOAT</b>  <b>WH</b> White <b>BK</b> Black <b>AB</b> Architectural Bronze <b>AG</b> Satin Silver <b>AU</b> Cashmere Gold <b>BB</b> Burnt Bronze <b>CF</b> Custom Finish* <small>*(Consult Factory)</small>  <b>ALUMINA</b> <b>CONSULT FACTORY FOR ALUMINA FINISHES</b>	<b>STATIC WHITE</b> <b>80S11A</b> 80+ CRI, 11 Watts Lumens Delivered - 1216 <b>80S17A</b> 80+ CRI, 17 Watts Lumens Delivered - 1843 <b>90S11A</b> 90+ CRI, 11 Watts Lumens Delivered - 1045 <b>90S17A</b> 90+ CRI, 17 Watts Lumens Delivered - 1583 <b>97S11A</b> 97+ CRI, 11 Watts Lumens Delivered - 918 <b>97S17A</b> 97+ CRI, 17 Watts Lumens Delivered - 1390  <b>REMOTE STATIC WHITE</b> <b>80S28B</b> 80+ CRI, 28 Watts Lumens Delivered - 2756 <b>90S28B</b> 90+ CRI, 28 Watts Lumens Delivered - 2368 <b>97S28B</b> 97+ CRI, 28 Watts Lumens Delivered - 2079  <b>WARM DIM</b> <b>90L17A</b> 90+ CRI, 17 Watts Incandescent Profile lm Delivered - 1244 Halogen Profile lm Delivered - 1309  <b>SEE PAGE 3 FOR WARM DIM PROFILE COMPARISON.</b>  <b>REMOTE TUNABLE WHITE</b> <b>90T28B</b> 90+ CRI, 28W Cool Profile: 5000K - 2700K Lumens Delivered - 1977 Warm Profile: 4000K - 1800K Lumens Delivered. - 1995  <b>LUMENS DELIVERED REFLECT 3000K PAIRED WITH 20° OPTIC AND SOFT FOCUS LENS.</b>	<b>24</b> 2400K* <small>*[90+ CRI only]</small> <b>27</b> 2700K <b>30</b> 3000K <b>35</b> 3500K <b>40</b> 4000K  <b>27</b> 2700K <b>30</b> 3000K <b>35</b> 3500K* <small>*[Not available for 97+ CRI]</small> <b>40</b> 4000K  <b>WL</b> 2700K - 1800K <b>WD</b> 3000K - 1800K  <b>TH</b> 5000K - 2700K <b>TR</b> 4000K - 1800K	<b>10</b> 10° (>19) <b>15</b> 15° (<13) <b>20</b> 20° (<10) <b>25</b> 25° (<10) <b>40</b> 40° (<10) <b>60</b> 60° (<16)  <b>15</b> 15° (<13) <b>20</b> 20° (<10) <b>25</b> 25° (<10) <b>40</b> 40° (<10) <b>60</b> 60° (<16)  <b>15</b> 15° (<13) <b>20</b> 20° (<10) <b>25</b> 25° (<10) <b>40</b> 40° (<10) <b>60</b> 60° (<13)  <b>15</b> 15° (<13) <b>20</b> 20° (<13) <b>25</b> 25° (<13) <b>40</b> 40° (<13) <b>60</b> 60° (<16)	<b>INTEGRAL</b> <b>IE2</b> Forward / Reverse Phase 220V-240V  <b>REMOTE</b> <b>IG1</b> eldoLED, SOLOdrive 0.1% 0-10V, LOG 120V-277V <b>ID1</b> eldoLED, SOLOdrive 0.1% DALI-2, LOG 120V-277V <b>LX1</b> eldoLED, SOLOdrive 0.1% DMX, LOG 120V-277V  <b>HUB</b> Separate Remote Power Supply and Distribution Hub, Powers up to 4 Fixtures* <small>*[Requires further specification on page 2]</small> <b>BUD</b> Combined Remote Power Distribution, Powers up to 4 Fixtures* <small>*[Requires further specification on page 2]</small>  <b>REMOTE TUNABLE WHITE</b> <b>DD2</b> eldoLED, DUALdrive 0.1% DALI-2 DT8, LOG, 120V-277V <b>MX2</b> DMX, 0.1%, LOG 120V-277V  <b>NO DRIVER</b> <b>NOD</b> No Driver* <small>*[See page 8 for specification information]</small>	<b>STANDARD MEDIA</b> <b>4</b> Soft Focus Lens* <small>*[Required for 10° optic]</small>  <b>ALTERNATE MEDIA</b> <b>2</b> Honeycomb Louver* <small>*[Not available for IP65 Wet Location]</small> <b>3</b> Clear Glass Lens <b>5</b> Frosted Glass Lens <b>6</b> Frosted Soft Focus Lens <b>7</b> Frosted Linear Spread Lens <b>S</b> Soft Focus Lens w/ Honeycomb Louver <b>F</b> Frosted Glass Lens w/ Honeycomb Louver <b>N</b> No Lens* <small>*[Not available for IP65 Wet Location]</small>	<b>E</b> EXMP Export Mounting Plate. Features 83mm diameter canopy

### PART NUMBER NOTES

- CM2 ships as e.g., CM224HS1WHBKWH90S11\*3040IE\*4E
- Remote driver ships as e.g., PS-RMT-90S-28B-IG\*



# MONOPOINT INTERNATIONAL CM2 HANG STRAIGHT

## HUB AND BUD

### CONFIGURATION - REQUIRED FOR 'HUB' AND 'BUD' DRIVER SPECIFICATION

ASSEMBLY	QTY	WATTAGE	REMOTE DRIVER
<b>HUB</b> Separate Remote Power Supply and Distribution Hub	2X 2 Fixtures 3X 3 Fixtures 4X 4 Fixtures	11W 11Watts 17W 17Watts	IG1 eldoLED, SOLOdrive .1%, 0-10V, LOG, 120V-277V ID1 eldoLED, SOLOdrive 0.1% DALI-2, LOG, 120V-277V
<b>BUD</b> Combined Remote Power Distribution			

### COMPATIBILITY BY DRIVER TYPE AND QUANTITY

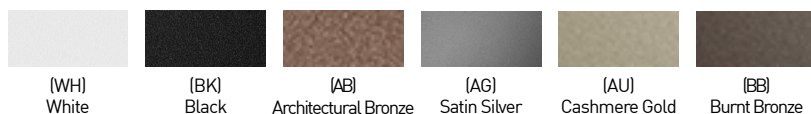
DRIVER	2 FIXTURES		3 FIXTURES		4 FIXTURES	
	11W	17W	11W	17W	11W	17W
IG1/ID1	✓	✓	✓		✓	

### PART NUMBER NOTES

- HUB and BUD assemblies are ordered as separate line item from fixtures.

## FINISHES

### POWDERCOAT FINISHES



### ALUMINA FINISHES BY LUCIFER LIGHTING™



## ACCESSORIES

### REPLACEMENT MEDIA

- HCL-CT2** Honeycomb Louver
- CGL-CT2** Clear Glass Lens
- SFL-CT2** Soft Focus Lens
- FGL-CT2** Frosted Glass Lens
- FSFL-CT2** Frosted Soft Focus Lens
- FLSL-CT2** Frosted Linear Spread Lens

### REPLACEMENT OPTICS

Interchangeable optics accessible by removing baffle.

#### Static White

- RO-70-15-S** 15° optic
- RO-70-20-S** 20° optic
- RO-70-25-S** 25° optic
- RO-70-40-S** 40° optic
- RO-70-60-S** 60° optic

#### Warm Dim

- RO-70-15-W** 15° optic
- RO-70-20-W** 20° optic
- RO-70-25-W** 25° optic
- RO-70-40-W** 40° optic
- RO-70-60-W** 60° optic

#### Tunable White

- RO-70-15-S** 15° optic
- RO-70-20-S** 20° optic
- RO-70-25-S** 25° optic
- RO-70-40-S** 40° optic
- RO-70-60-S** 60° optic

### REPLACEMENT BAFFLE ASSEMBLY (INCLUDES MEDIA)

ASSEMBLY	SHAPE	RATING	FINISH	MEDIA
<b>RBA</b>	<b>CM2</b>			
REPLACEMENT BAFFLE ASSEMBLY	CM2 83mm	1 IP20 Dry/Damp 2 IP65 Wet* *(Requires provided suction cup to service)	WH White BK Black AB Architectural Bronze AG Satin Silver AU Cashmere Gold BB Burnt Bronze PR Primer CF Custom Finish* *(Consult Factory)	LEAVE BLANK FOR SOFT FOCUS LENS (SFL) HCL Honeycomb Louver* *(Not available for Wet Location) CGL Clear Glass Lens FGL Frosted Glass Lens FSFL Frosted Soft Focus Lens FLSL Frosted Linear Spread Lens NL No Lens* *(Not available for Wet Location)

# MONOPOINT INTERNATIONAL CM2 HANG STRAIGHT

## PERFORMANCE - 3000K

LUMEN PACKAGE	WATTAGE	10° OPTIC FIELD REDUCER		15° OPTIC SOFT FOCUS LENS		20° OPTIC SOFT FOCUS LENS		25° OPTIC SOFT FOCUS LENS		40° OPTIC SOFT FOCUS LENS		60° OPTIC SOFT FOCUS LENS	
		DELIVERED	LPW	DELIVERED	LPW	DELIVERED	LPW	DELIVERED	LPW	DELIVERED	LPW	DELIVERED	LPW
		80S11A	11	613	55	1143	104	1216	111	1202	109	1124	102
80S17A	17	828	49	1750	103	1843	108	1823	107	1690	99	1440	85
80S28B	28	-	-	2571	92	2756	98	2694	96	2529	90	2072	74
90S11A	11	528	48	982	89	1045	95	1033	94	966	88	815	74
90S17A	17	714	42	1503	88	1583	91	1566	92	1452	85	1237	73
90S28B	28	-	-	2209	79	2368	85	2314	83	2193	78	1780	64
97S11A	11	456	41	862	78	918	83	907	82	848	77	716	65
97S17A	17	616	36	1320	78	1390	82	1375	81	1275	75	1086	64
97S28B	28	-	-	1939	69	2079	74	2032	73	1908	68	1563	56
90L17A (2700K-1800K)	17	-	-	1249	73	1244	73	1229	72	1177	69	1046	62
90L17A (3000K-1800K)	17	-	-	1314	77	1309	77	1293	76	1238	73	1100	65
90T28B (4000K-1800K)	28	-	-	1972	70	1995	71	1971	70	1837	66	1655	59
90T28B (5000K-2700K)	28	-	-	1954	70	1977	71	1953	70	1820	65	1640	59

Part L 75+ LPW configurations comply with residential Part L  
95+ LPW configurations comply with commercial Part L

### UNIFIED GLARE RATING

10° OPTIC FIELD REDUCER	15° OPTIC SOFT FOCUS LENS	20° OPTIC SOFT FOCUS LENS	25° OPTIC SOFT FOCUS LENS	40° OPTIC SOFT FOCUS LENS	60° OPTIC SOFT FOCUS LENS
>19	<13	<13	<13	<13	<16

### MEDIA LIGHT LOSS MULTIPLIER

MEDIA	LIGHT LOSS FACTOR
No Lens	1.05
CGL	0.97
SFL	1.00
FGL	0.85
FSFL	0.82
FLSL	0.78
HCL	0.75
SFL W/ HCL	0.68
FGL W/ HCL	0.47

### OUTPUT MULTIPLIER

CCT	CCT SCALE
2400K	0.85
2700K	0.97
3000K	1.00
3500K	1.03
4000K	1.08

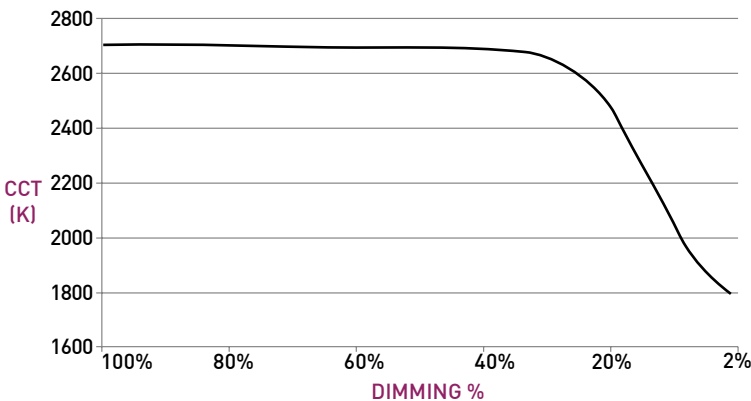
### TUNABLE WHITE MULTIPLIER

CCT	5000K-2700K	4000K-1800K
5000K	1.16	-
4000K	1.08	1.14
3500K	1.04	1.07
3000K	1.00	1.00
2700K	0.96	0.92
2400K	-	0.84
1800K	-	0.69

## WARM DIM PERFORMANCE - SOFT FOCUS LENS - 20° OPTIC

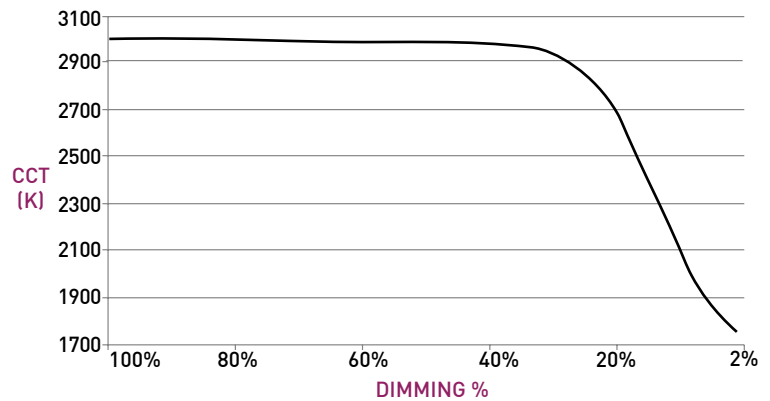
### INCANDESCENT PROFILE

90L17AWL 2700K - 1800K	Full on 100%	Dimmed to 80%	Dimmed to 70%	Dimmed to 50%	Dimmed to 20%	Dimmed to 10%	Dimmed to 2%
CCT (K)	2700	2700	2700	2700	2500	1950	1800
Light Output (Lm)	1244	995	871	622	249	124	25
Power (W)	17	8.8	7.7	5.5	2.2	1.1	0.2
Efficacy (LPW)	73	73	73	73	73	73	73



### HALOGEN PROFILE

90L17AWD 3000K - 1800K	Full on 100%	Dimmed to 80%	Dimmed to 70%	Dimmed to 50%	Dimmed to 20%	Dimmed to 10%	Dimmed to 2%
CCT (K)	3000	3000	3000	3000	3000	2150	1800
Light Output (Lm)	1309	1047	916	655	262	131	26
Power (W)	17	8.8	7.7	5.5	2.2	1.1	0.2
Efficacy (LPW)	77	77	77	77	77	77	77



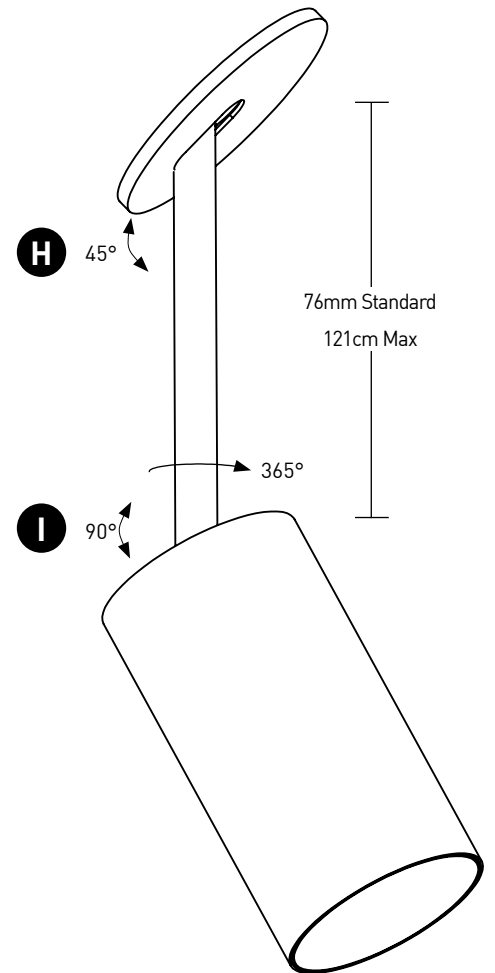
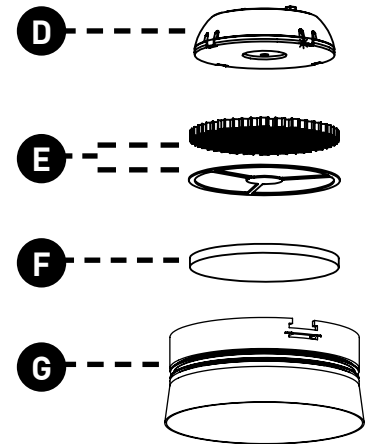
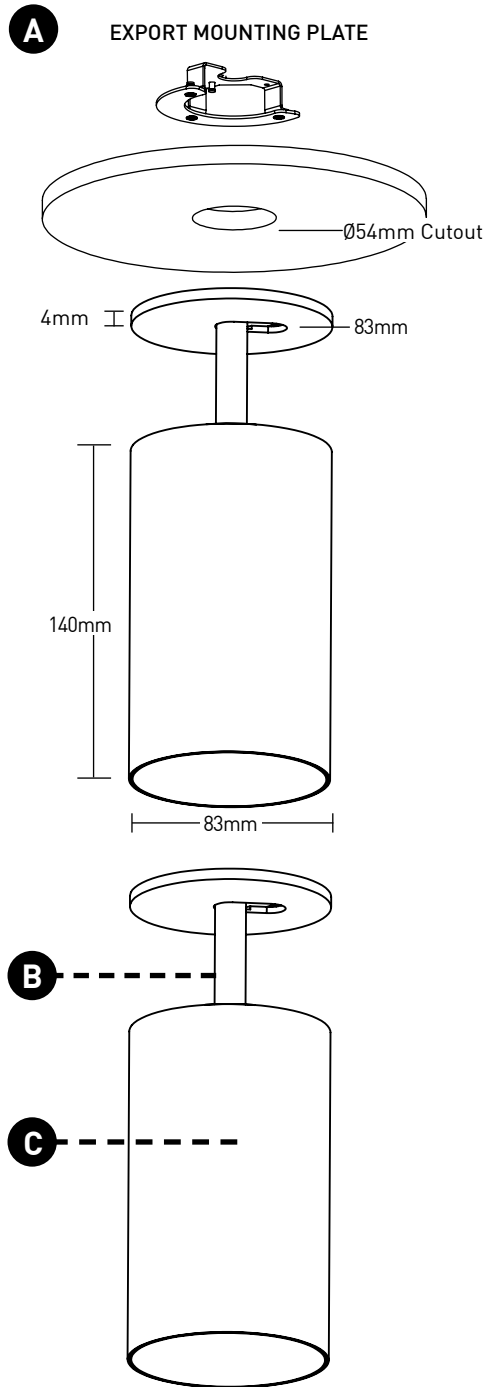
NOTE: LIN-TO-LIN 0-10V PAIRING NOT COMPATIBLE WITH WARM DIM.

# MONOPOINT INTERNATIONAL CM2 HANG STRAIGHT

## MONOPOINT

- A EXPORT MOUNTING PLATE**  
Export mounting plate (concealed) to be installed above ceiling substrate. Features minimalist 83mm diameter canopy.
- B STEM**  
Standard length is 3", also available in 24" and 48" lengths. All lengths excepts 3" are field cuttable. Powdercoat finishes standard, consult factory for Alumina finishes.
- C BODY**  
Available in powdercoat and Alumina finishes. Power supply integrated into fixture body.
- D OPTICS**  
Robust light engine with optimized optic pairing integrates Reflection, Refraction, and TIR offering 10°, 15°, 20°, 25°, 40° & 60° beams.
- E 10° FIELD REDUCER**  
Soft Focus Lens, Honeycomb Louver, and Field Reducer provided with 10° optic. Reduces field angle by 30%.
- F MEDIA**  
Soft Focus Lens standard. Wet location media sealed in place.
- G Baffle**  
Accepts 2 media devices. Baffle minimizes aperture glare and conceals view into fixture. Powdercoat finishes standard, consult factory for Alumina finishes.
- H HANG STRAIGHT CANOPY**  
Features hidden ball joint that accomodates installations on up to 12/12 (45°) sloped ceilings.
- I ADJUSTABILITY**  
Features locking 90° tilt and 365° rotation. Stem features 45° tilt to accommodate up to 12/12 slopes.

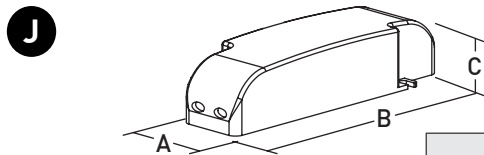
## DIMENSIONS / DRAWINGS



## REMOTE POWER SUPPLY

- J Remote power supply** provides additional driver options. See page 9 for maximum allowable wiring distance. Must be installed in an accessible location.

**Note:** Not included with fixtures designated as NOD.



POWER SUPPLY DIMENSIONS			
Model	A	B	C
IG1	41mm	210mm	34mm
ID1	41mm	210mm	34mm
DD2	76mm	130mm	30mm
LX1	85mm	176mm	51mm
MX2	127mm	206mm	51mm

# MONOPOINT INTERNATIONAL CM2 HANG STRAIGHT

## DISTRIBUTED POWER ACCESSORY

### K HUB (SEPARATE COMPONENTS)

Included with "HUB" driver selection. Allows for multi-fixture power distribution from one remote power supply to a maximum of 6 fixtures. Connectable fixture quantity is specified in fixture part number on page 2. HUB base plate allows for structural mounting and wiring during rough-in. Wiring distances for HUB based on quantity featured in figure K.

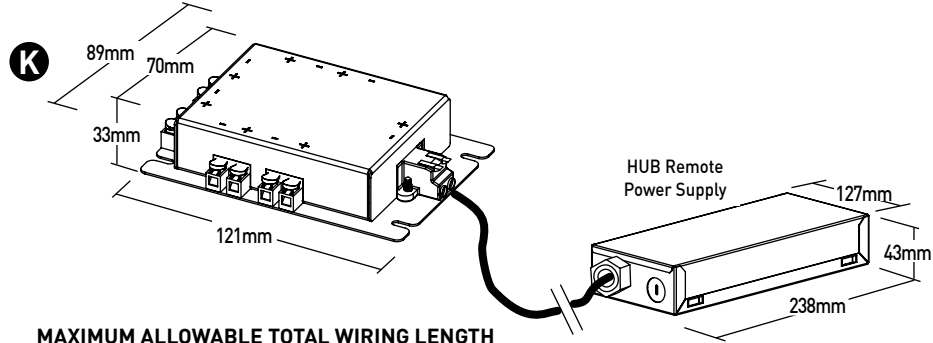
Model Number e.g.: HUB2X15W-PH1

### L BUD (COMBINED ASSEMBLY)

Included with "BUD" driver selection. Allows for multi-fixture power distribution from combined remote power distribution assembly to a maximum of 6 fixtures. Connectable fixture quantity is specified in fixture part number on page 2. BUD base plate allows for structural mounting and wiring during rough-in. Wiring distances for BUD based on quantity featured in figure J.

Model Number e.g.: BUD4X11W-SG5

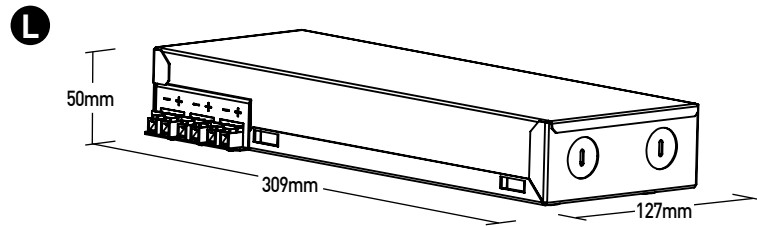
## DIMENSIONS / DRAWINGS



### MAXIMUM ALLOWABLE TOTAL WIRING LENGTH

DRIVER-TO-HUB AWG	HUB-TO-FIXTURE AWG	TOTAL LENGTH
18	18	150'
16	16	200'
14	14	250'
12	18	400'*
12	16	450'*
12	14	500'*

\*Total length requires 250' 12AWG Driver-to-Hub wiring

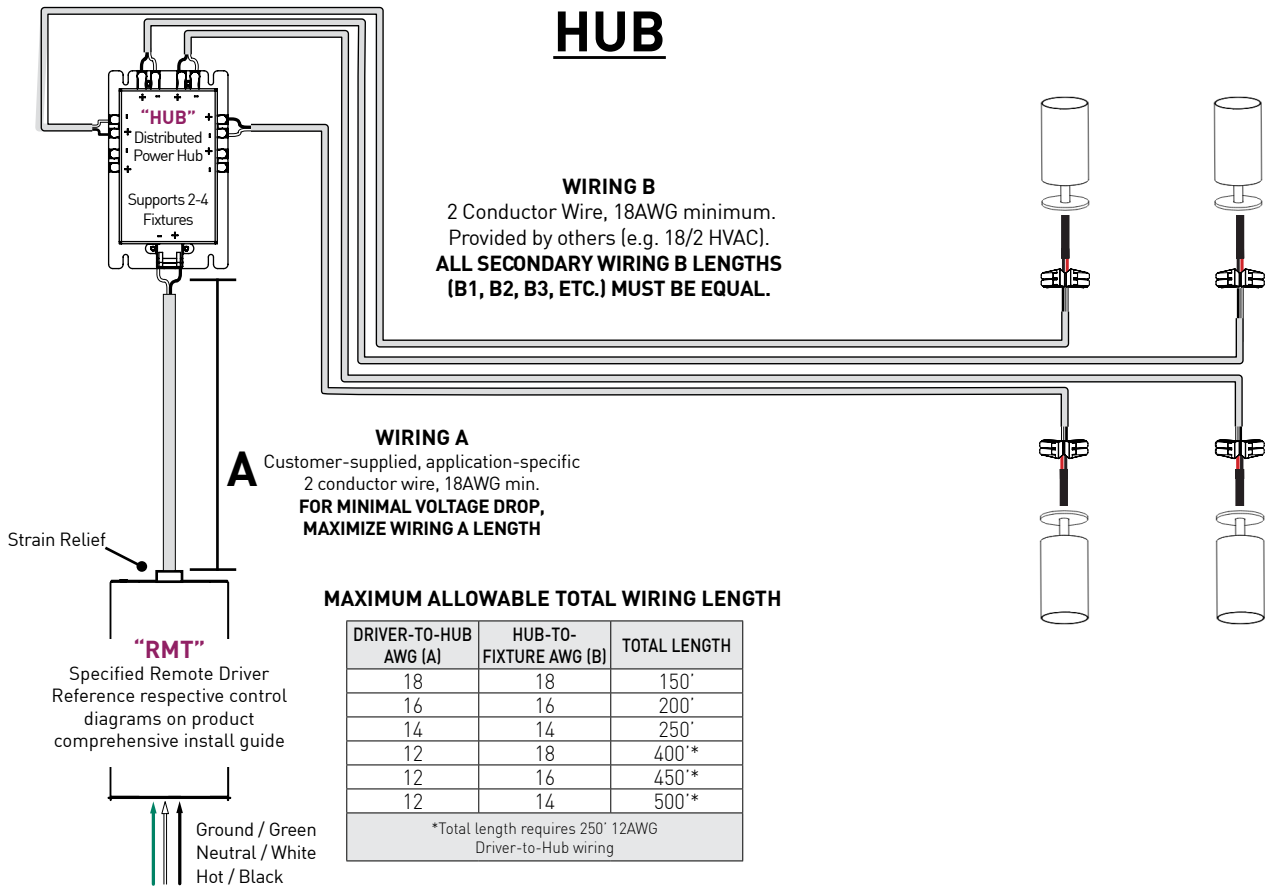


### MAXIMUM ALLOWABLE TOTAL WIRING LENGTH

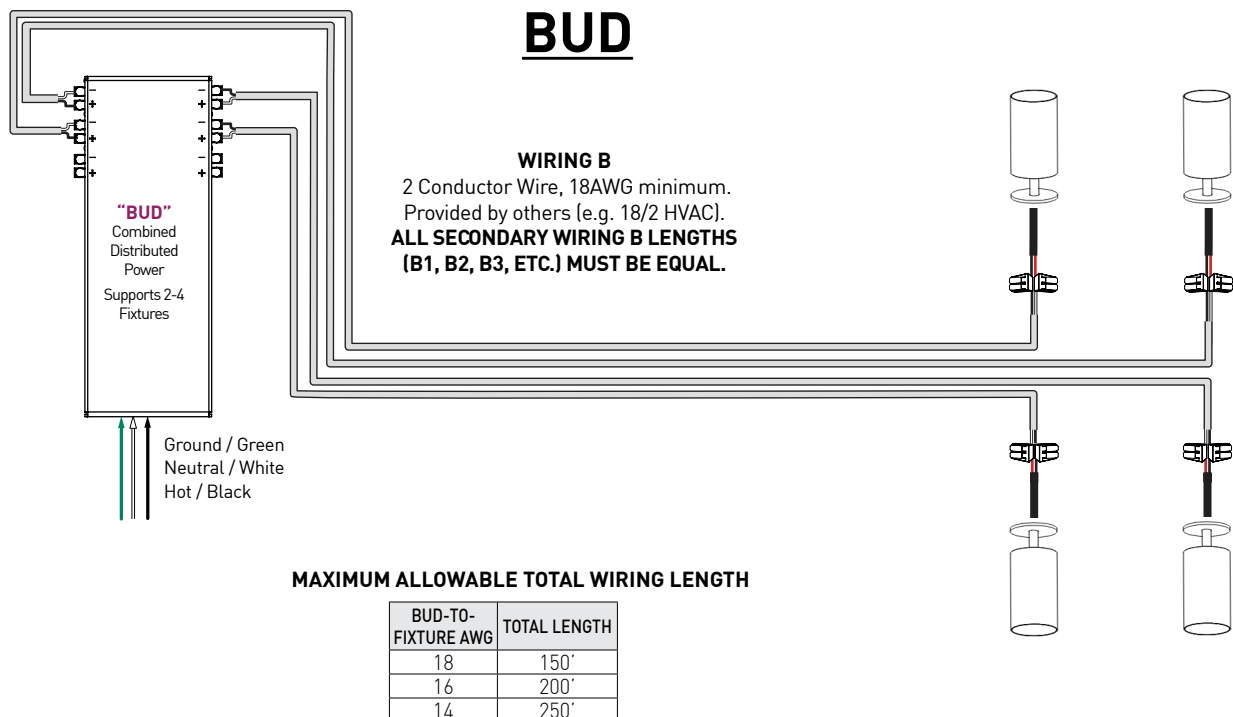
BUD-TO-FIXTURE AWG	TOTAL LENGTH
18	150'
16	200'
14	250'

# MONOPOINT INTERNATIONAL CM2 HANG STRAIGHT

## HUB WIRING DETAILS



## BUD WIRING DETAILS



# MONOPOINT INTERNATIONAL CM2 HANG STRAIGHT

## NO DRIVER (NOD) SPECIFICATION NOTES

- Customers are responsible for ensuring power supply drive current is set to correct values shown below in the drive current specifics section.
- Customers must ensure voltage range of the proposed power supply encompasses the fixtures complete Vf range, both maximum and minimum, and can be set to the required mA drive current. If assistance is required contact your manufacturers representative or the factory.
- Lucifer Lighting is not responsible for confirming dimming compatability between power supplies and control systems / dimmers.
- Lucifer Lighting will not ship fixtures with a power supply supplied by others inside the fixture.
- Consult power supply manufacturer for maximum remote wiring distances.
- Housing and Fixture feature 18 AWG wiring.
- Wiring connections are made in the splicing compartment using customer supplied connectors, ex. wire nuts, push-in connectors, or terminal blocks.

## DRIVE CURRENT SPECIFICS

	80S / 90S / 97S			90W	90T
	11A	17A	28B	17A	28B
Minimum Vf	31	31	31	31	31
Maximum Vf	36	36	36	37	37
Current mA	250	400	650	400	650
Wattage W	8.4	13.5	21.8	13.4	21.4

# MONOPOINT INTERNATIONAL CM2 HANG STRAIGHT

## TECHNICAL

### CONSTRUCTION

**Monopoint:** Machined aluminum body; painted finishes are granulated powder coat; Alumina finishes are anodized aluminum.

### STATIC WHITE LED

2-step MacAdam ellipse LED module available in 80+, 90+ and 97+ CRI configurations in color temperatures of 2700K, 3000K, 3500K and 4000K.  
3-step MacAdam ellipse LED module available in 90+ CRI configurations in color temperature of 2400K. Average rated lamp life of 50,000 hours.

### WARM DIM LED

3-step MacAdam ellipse warm dim LED module available in 90+ CRI configuration. 3000K or 2700K at full brightness, warming to 1800K at full dim. Average rated lamp life of 50,000 hours.

### TUNABLE WHITE LED

3-step MacAdam ellipse tunable white LED module available in 90+ CRI configuration. Features tuning ranges of 1800K to 4000K and 2700K to 5000K. Average rated lamp life of 50,000 hours.

### POWER SUPPLY PERFORMANCE AND DIMMING INFORMATION

Power Supply	PHASE			0-10V		DALI	
	IE2	IG1	IN1	ID1	DD2		
Minimum °C	-20 °C	-20 °C	-20 °C	-20 °C	-20 °C		
Maximum °C	40 °C	40 °C	40 °C	40 °C	40 °C		
Dimming %	2.0%	0.1%	0.1%	0.1%	0.1%		

Note: For IG1 and IN1 drivers consult chart on page 9 to confirm appropriate dimming curve for compatibility with selected control.

### MAXIMUM ALLOWABLE REMOTE DRIVER WIRING DISTANCES

DRIVER	WIRE AWG				
	12	14	16	18	20
IG1, IN1, ID1, DD2	-	-	118'	72'	46'

### LISTING

Monopoints and drivers CE Listed for Dry / Damp locations.  
Integral drivers ENEC and CB Listed. NOM Certified.

### DECLARE

LBC Red List Approved.

### PART L

Part L compliant for all 75+ LPW residential and 95+ LPW commercial configurations.

### LIMITED WARRANTY

Manufacturer's Limited Warranty guarantees product(s) listed to be free from defects in material and workmanship under normal use and service for 1-year. LED and power supplies are warranted to operate with 70% of original flux and remain within a range of 3 duv for a period of 5-years. Warranty period begins from the date of shipment by Seller. [Consult website for full warranty terms and conditions.](#)

### CHANGE LOG

- 05/07/2025: UPDATED WARM DIM OFFERING.
- 01/02/2026: ADDED NOD OFFERING.
- 03/16/2026: ADDED HUB AND BUD POWER SUPPLY
- 06/26/2026: ADDED DMX OFFERINGS.
- 06/26/2026: DISCONTINUED 0-10V LINEAR AND CASAMBI OFFERINGS.



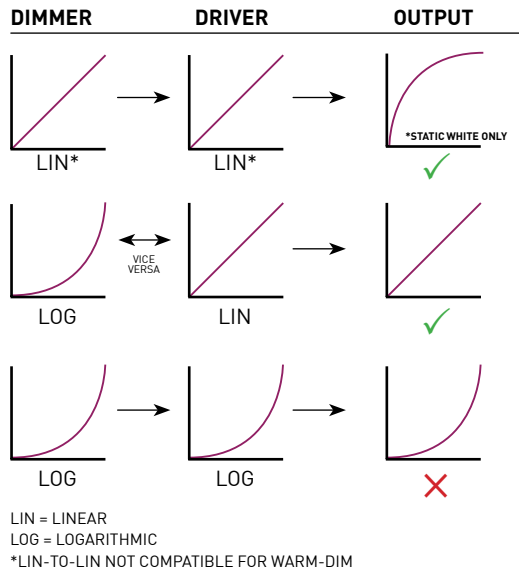
# MONOPOINT INTERNATIONAL CM2 HANG STRAIGHT

## DIMMING COMPATABILITY

### eldoLED DRIVER COMPATIBILITY

SG3, EG1 Manufacturer	Family/Model #
Busch-Jaeger	2112U-101
Jung	240-10
Leviton Lighting Controls	IP710-DLX
Lightolier Controls	ZP600FAM120
Merten	5729
Pass & Seymour	CD4FB-W
The Watt Stopper	DCLV1
Synergy	ISD BC
Crestron®	GLX-DIMFLV8
Crestron®	GLXP-DIMFLV8
Crestron®	GLPAC-DIMFLV4-*
Crestron®	GLPAC-DIMFLV8-*
Crestron®	GLPP-DIMFLVEX-PM
Crestron®	GLPP-1DIMFLV2EX-PM
Crestron®	GLPP-1DIMFLV3EX-PM
Crestron®	DIN-A08
Crestron®	DIN-4DIMFLV4
Crestron®	CLS-EXP-DIMFLV
Crestron®	CLCI-1DIMFLV2EX

### ANALOG DRIVERS AND DIMMERS



### DMX DIMMING INFORMATION

- Fixtures do not ship pre-addressed; fixture addressing is completed by the installer or a commissioning contractor via RDM.
- All fixtures are RDM compatible.
- DMX Channel Count:  
Static White / Warm Dim: 1  
Tunable White: 2; Channel 1 Warm and Channel 2 Cool
- DMX run termination provided by others.
- DMX Connection Type: Pigtail
- DMX Color Scheme:  
DMX+: Yellow  
DMX-: Pink  
DMX Shield: Orange
- Installation may require shielded cable if EMI is present.
- Fixture Default Mode: FULL ON
- Fixture Fail Mode: ON 10% DIMMED