

# MONOPOINT INTERNATIONAL CM2 HANG STRAIGHT

An innovative solution for sloped ceilings, this monopoint “hang straight” can suspend with a rigid stem up to 4’ in length, for ceiling pitches up to 45° while still allowing for a full 90° tilt.

PROJECT NAME:	TYPE:
---------------	-------



## ORDERING INFORMATION - MONOPOINT

CYLINDER	LENGTH	FIXTURE	BODY FINISH	BAFFLE FINISH	STEM FINISH	CRI / WATTAGE PACKAGE	CCT	OPTIC (UGR)	DRIVER	MEDIA	MOUNTING
<b>CM2</b>		<b>HS1</b>									<b>E</b>
CM2 83mm	<b>LENGTHS</b> <b>SL</b> 3" Standard <b>24</b> 24" <b>48</b> 48"  <b>24" AND 48" STEMS ARE FIELD CUTTABLE. 3" STANDARD LENGTH STEM IS MINIMUM LENGTH.</b>	<b>ADJUSTABLE DRY / DAMP</b>  <b>HS1</b> Adjustable 90° Fixture Tilt, Max ceiling pitch 12/12 [45°]	<b>POWDERCOAT</b>  <b>WH</b> White <b>BK</b> Black <b>AB</b> Architectural Bronze <b>AG</b> Satin Silver <b>AU</b> Cashmere Gold <b>BB</b> Burnt Bronze <b>CF</b> Custom Finish* <small>*(Consult Factory)</small>  <b>ALUMINA</b> <b>01</b> Brushed Obsidian <b>02</b> Matte Obsidian <b>03</b> Brushed Dark Patinated Bronze <b>04</b> Matte Dark Patinated Bronze <b>05</b> Brushed Aged Aluminum <b>06</b> Matte Aged Aluminum <b>07</b> Brushed Cast Brass <b>08</b> Matte Cast Brass <b>09</b> Brushed Light Patinated Bronze <b>10</b> Matte Light Patinated Bronze  <b>ALUMINA NOT RECOMMENDED FOR EXTERIOR APPLICATIONS, FINISHES ARE NOT UV RATED</b>	<b>POWDERCOAT</b>  <b>WH</b> White <b>BK</b> Black <b>AB</b> Architectural Bronze <b>AG</b> Satin Silver <b>AU</b> Cashmere Gold <b>BB</b> Burnt Bronze <b>CF</b> Custom Finish* <small>*(Consult Factory)</small>  <b>ALUMINA</b> <b>CONSULT FACTORY FOR ALUMINA FINISHES</b>	<b>POWDERCOAT</b>  <b>WH</b> White <b>BK</b> Black <b>AB</b> Architectural Bronze <b>AG</b> Satin Silver <b>AU</b> Cashmere Gold <b>BB</b> Burnt Bronze <b>CF</b> Custom Finish* <small>*(Consult Factory)</small>  <b>ALUMINA</b> <b>CONSULT FACTORY FOR ALUMINA FINISHES</b>	<b>STATIC WHITE</b> <b>80S11A</b> 80+ CRI, 11 Watts Lumens Delivered - 1216 <b>80S17A</b> 80+ CRI, 17 Watts Lumens Delivered - 1843 <b>90S11A</b> 90+ CRI, 11 Watts Lumens Delivered - 1045 <b>90S17A</b> 90+ CRI, 17 Watts Lumens Delivered - 1583 <b>97S11A</b> 97+ CRI, 11 Watts Lumens Delivered - 918 <b>97S17A</b> 97+ CRI, 17 Watts Lumens Delivered - 1390  <b>REMOTE STATIC WHITE</b> <b>80S28B</b> 80+ CRI, 28 Watts Lumens Delivered - 2756 <b>90S28B</b> 90+ CRI, 28 Watts Lumens Delivered - 2368 <b>97S28B</b> 97+ CRI, 28 Watts Lumens Delivered - 2079  <b>WARM DIM</b> <b>90L17A</b> 90+ CRI, 17 Watts Incandescent Profile lm Delivered - 1244 Halogen Profile lm Delivered - 1309  <b>SEE PAGE 3 FOR WARM DIM PROFILE COMPARISON.</b>  <b>REMOTE TUNABLE WHITE</b> <b>90T28B</b> 90+ CRI, 28W Cool Profile: 5000K - 2700K Lumens Delivered - 1977 Warm Profile: 4000K - 1800K Lumens Delivered. - 1995  <b>LUMENS DELIVERED REFLECT 3000K PAIRED WITH 20° OPTIC AND SOFT FOCUS LENS.</b>	<b>24</b> 2400K* <small>*[90+ CRI only]</small> <b>27</b> 2700K <b>30</b> 3000K <b>35</b> 3500K <b>40</b> 4000K  <b>27</b> 2700K <b>30</b> 3000K <b>35</b> 3500K* <small>*[Not available for 97+ CRI]</small> <b>40</b> 4000K  <b>WL</b> 2700K - 1800K <b>WD</b> 3000K - 1800K  <b>TH</b> 5000K - 2700K <b>TR</b> 4000K - 1800K	<b>10</b> 10° (>19) <b>15</b> 15° (<13) <b>20</b> 20° (<10) <b>25</b> 25° (<10) <b>40</b> 40° (<10) <b>60</b> 60° (<16)  <b>15</b> 15° (<13) <b>20</b> 20° (<10) <b>25</b> 25° (<10) <b>40</b> 40° (<10) <b>60</b> 60° (<16)  <b>15</b> 15° (<13) <b>20</b> 20° (<10) <b>25</b> 25° (<10) <b>40</b> 40° (<10) <b>60</b> 60° (<16)	<b>INTEGRAL</b> <b>IE</b> Electronic ELV / TRIAC 220V-240V  <b>REMOTE</b> <b>IG</b> eldoLED, SOLOdrive 0.1% 0-10V, LOG 120V-277V <b>IN</b> eldoLED, SOLOdrive 0.1% 0-10V, LIN 120V-277V <b>ID</b> eldoLED, SOLOdrive 0.1% DALI-2, LOG 120V-277V  <b>REMOTE TUNABLE WHITE</b> <b>DD</b> eldoLED, DUALdrive 0.1% DALI-2, LOG 120V-277V	<b>STANDARD MEDIA</b> <b>4</b> Soft Focus Lens* <small>*[Required for 10° optic]</small>  <b>ALTERNATE MEDIA</b> <b>2</b> Honeycomb Louver* <small>*[Not available for IP65 Wet Location]</small> <b>3</b> Clear Glass Lens <b>5</b> Frosted Glass Lens <b>6</b> Frosted Soft Focus Lens <b>7</b> Frosted Linear Spread Lens <b>S</b> Soft Focus Lens w/ Honeycomb Louver <b>F</b> Frosted Glass Lens w/ Honeycomb Louver  <b>N</b> No Lens* <small>*[Not available for IP65 Wet Location]</small>	<b>E</b> EXMP Export Mounting Plate. Features 83mm diameter canopy

### PART NUMBER NOTES

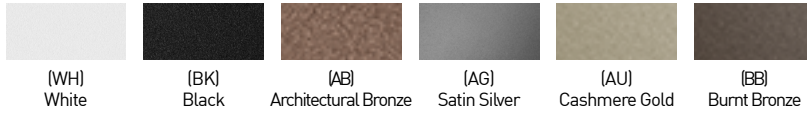
- CM2 ships as e.g., CM224HS1WHBKWH90S11\*3040IE\*4E
- Remote driver ships as e.g., PS-RMT-90S-28B-IG\*



# MONOPOINT INTERNATIONAL CM2 HANG STRAIGHT

## FINISHES

### POWDERCOAT FINISHES



### ALUMINA FINISHES BY LUCIFER LIGHTING™



## ACCESSORIES

### REPLACEMENT MEDIA

- HCL-CT2** Honeycomb Louver
- CGL-CT2** Clear Glass Lens
- SFL-CT2** Soft Focus Lens
- FGL-CT2** Frosted Glass Lens
- FSFL-CT2** Frosted Soft Focus Lens
- FLSL-CT2** Frosted Linear Spread Lens

### REPLACEMENT OPTICS

Interchangeable optics accessible by removing baffle.

#### Static White

- RO-70-15-S** 15° optic
- RO-70-20-S** 20° optic
- RO-70-25-S** 25° optic
- RO-70-40-S** 40° optic
- RO-70-60-S** 60° optic

#### Warm Dim

- RO-70-15-W** 15° optic
- RO-70-20-W** 20° optic
- RO-70-25-W** 25° optic
- RO-70-40-W** 40° optic
- RO-70-60-W** 60° optic

#### Tunable White

- RO-70-15-S** 15° optic
- RO-70-20-S** 20° optic
- RO-70-25-S** 25° optic
- RO-70-40-S** 40° optic
- RO-70-60-S** 60° optic

### EMERGENCY LIGHTING - REMOTE MOUNT ONLY

During disruption of main power, emergency battery inverter provides temporary 120V or 277V to fixture.

- EMB-S-25-120/277-LEDX** 25 watt max capacity, 120 or 277 VAC 60Hz, Non-Dimmable
- EMB-S-100-120-LEDX** 100 watt max capacity, 120 VAC 60Hz, 0-10V Dimmable
- EMB-S-100-277-LEDX** 100 watt max capacity, 277 VAC 60Hz, 0-10V Dimmable
- EMB-S-250-120/277-LEDX** 250 watt max capacity, 120 or 277 VAC 60Hz, 0-10V Dimmable

**\*SHUNT REQUIRED FOR USE WITH ATHENA AND CASAMBI CONTROLS, CONSULT FACTORY FOR DETAILS.**

# MONOPOINT INTERNATIONAL CM2 HANG STRAIGHT

## PERFORMANCE - 3000K

LUMEN PACKAGE	WATTAGE	10° OPTIC FIELD REDUCER		15° OPTIC SOFT FOCUS LENS		20° OPTIC SOFT FOCUS LENS		25° OPTIC SOFT FOCUS LENS		40° OPTIC SOFT FOCUS LENS		60° OPTIC SOFT FOCUS LENS	
		DELIVERED	LPW	DELIVERED	LPW	DELIVERED	LPW	DELIVERED	LPW	DELIVERED	LPW	DELIVERED	LPW
80S11A	11	613	55	1143	104	1216	111	1202	109	1124	102	949	86
80S17A	17	828	49	1750	103	1843	108	1823	107	1690	99	1440	85
80S28B	28	-	-	2571	92	2756	98	2694	96	2529	90	2072	74
90S11A	11	528	48	982	89	1045	95	1033	94	966	88	815	74
90S17A	17	714	42	1503	88	1583	91	1566	92	1452	85	1237	73
90S28B	28	-	-	2209	79	2368	85	2314	83	2193	78	1780	64
97S11A	11	456	41	862	78	918	83	907	82	848	77	716	65
97S17A	17	616	36	1320	78	1390	82	1375	81	1275	75	1086	64
97S28B	28	-	-	1939	69	2079	74	2032	73	1908	68	1563	56
90L17A (2700K-1800K)	17	-	-	1249	73	1244	73	1229	72	1177	69	1046	62
90L17A (3000K-1800K)	17	-	-	1314	77	1309	77	1293	76	1238	73	1100	65
90T28B (4000K-1800K)	28	-	-	1972	70	1995	71	1971	70	1837	66	1655	59
90T28B (5000K-2700K)	28	-	-	1954	70	1977	71	1953	70	1820	65	1640	59

**Part L** 75+ LPW configurations comply with residential Part L  
95+ LPW configurations comply with commercial Part L

### UNIFIED GLARE RATING

10° OPTIC FIELD REDUCER	15° OPTIC SOFT FOCUS LENS	20° OPTIC SOFT FOCUS LENS	25° OPTIC SOFT FOCUS LENS	40° OPTIC SOFT FOCUS LENS	60° OPTIC SOFT FOCUS LENS
>19	<13	<13	<13	<13	<16

### MEDIA LIGHT LOSS MULTIPLIER

MEDIA	LIGHT LOSS FACTOR
No Lens	1.05
CGL	0.97
SFL	1.00
FGL	0.85
FSFL	0.82
FLSL	0.78
HCL	0.75
SFL W/ HCL	0.68
FGL W/ HCL	0.47

### OUTPUT MULTIPLIER

CCT	CCT SCALE
2400K	0.85
2700K	0.97
3000K	1.000
3500K	1.03
4000K	1.08

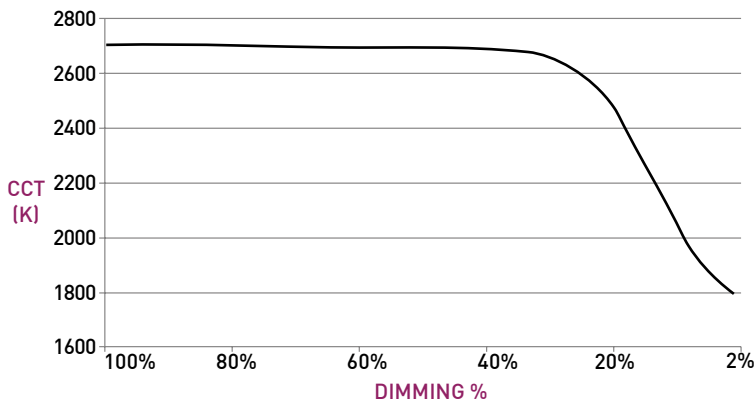
### TUNABLE WHITE MULTIPLIER

CCT	5000K-2700K	4000K-1800K
5000K	1.16	-
4000K	1.08	1.14
3500K	1.04	1.07
3000K	1.00	1.00
2700K	0.96	0.92
2400K	-	0.84
1800K	-	0.69

## WARM DIM PERFORMANCE - SOFT FOCUS LENS - 20° OPTIC

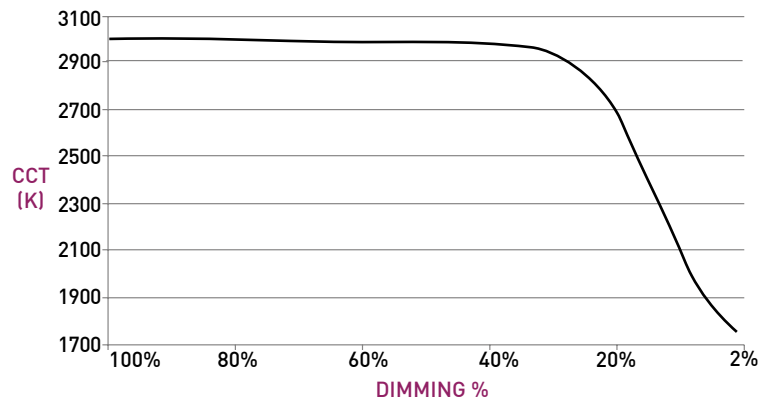
### INCANDESCENT PROFILE

90L17AWL 2700K - 1800K	Full on 100%	Dimmed to 80%	Dimmed to 70%	Dimmed to 50%	Dimmed to 20%	Dimmed to 10%	Dimmed to 2%
CCT (K)	2700	2700	2700	2700	2500	1950	1800
Light Output (Lm)	1244	995	871	622	249	124	25
Power (W)	17	8.8	7.7	5.5	2.2	1.1	0.2
Efficacy (LPW)	73	73	73	73	73	73	73



### HALOGEN PROFILE

90L17AWD 3000K - 1800K	Full on 100%	Dimmed to 80%	Dimmed to 70%	Dimmed to 50%	Dimmed to 20%	Dimmed to 10%	Dimmed to 2%
CCT (K)	3000	3000	3000	3000	3000	2150	1800
Light Output (Lm)	1309	1047	916	655	262	131	26
Power (W)	17	8.8	7.7	5.5	2.2	1.1	0.2
Efficacy (LPW)	77	77	77	77	77	77	77



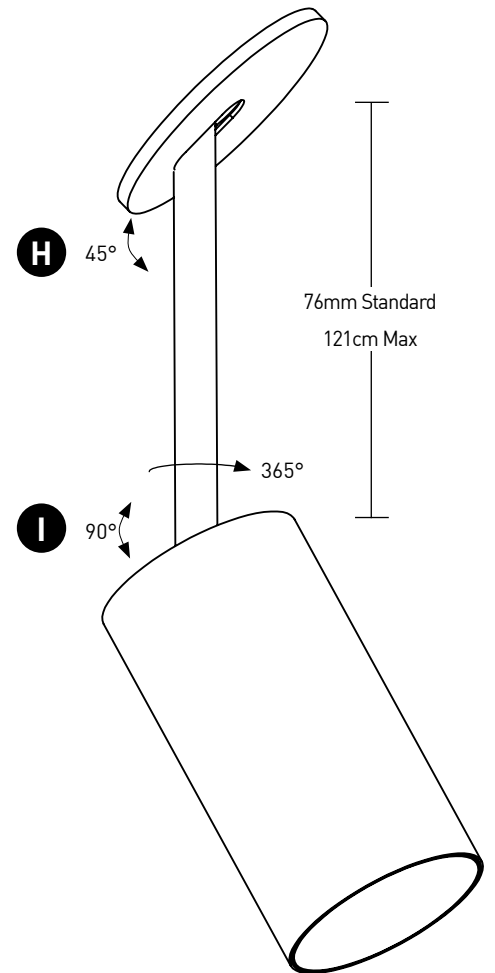
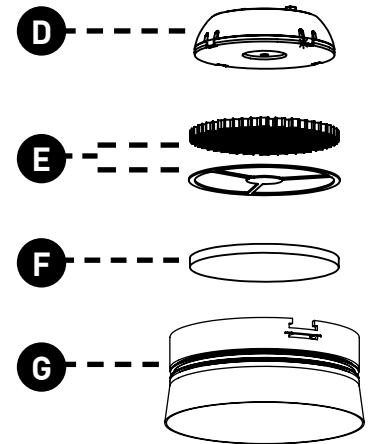
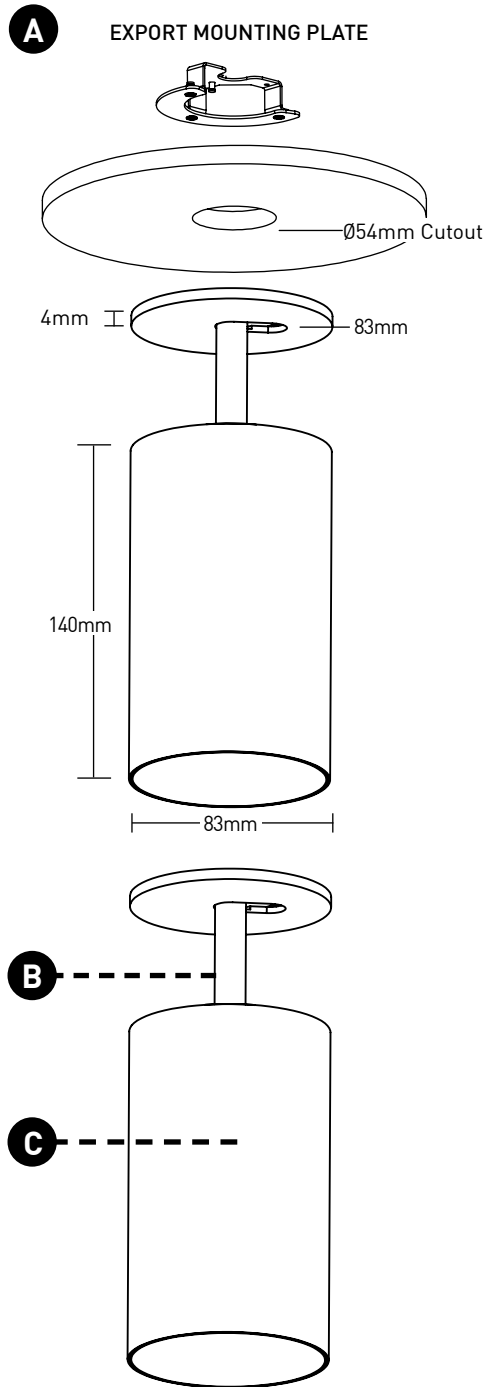
**NOTE: LIN-TO-LIN 0-10V PAIRING NOT COMPATIBLE WITH WARM DIM.**

# MONOPOINT INTERNATIONAL CM2 HANG STRAIGHT

## MONOPOINT

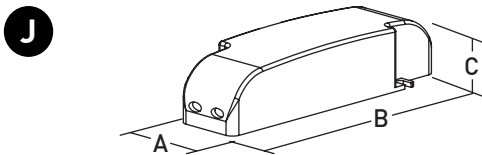
- A EXPORT MOUNTING PLATE**  
Export mounting plate (concealed) to be installed above ceiling substrate. Features minimalist 83mm diameter canopy.
- B STEM**  
Standard length is 3", also available in 24" and 48" lengths. All lengths excepts 3" are field cuttable. Powdercoat finishes standard, consult factory for Alumina finishes.
- C BODY**  
Available in powdercoat and Alumina finishes. Power supply integrated into fixture body.
- D OPTICS**  
Robust light engine with optimized optic pairing integrates Reflection, Refraction, and TIR offering 10°, 15°, 20°, 25°, 40° & 60° beams.
- E 10° FIELD REDUCER**  
Soft Focus Lens, Honeycomb Louver, and Field Reducer provided with 10° optic. Reduces field angle by 30%.
- F MEDIA**  
Soft Focus Lens standard. Wet location media sealed in place.
- G Baffle**  
Accepts 2 media devices. Baffle minimizes aperture glare and conceals view into fixture. Powdercoat finishes standard, consult factory for Alumina finishes.
- H HANG STRAIGHT CANOPY**  
Features hidden ball joint that accommodates installations on up to 12/12 (45°) sloped ceilings.
- I ADJUSTABILITY**  
Features locking 90° tilt and 365° rotation. Stem features 45° tilt to accommodate up to 12/12 slopes.

## DIMENSIONS / DRAWINGS



## REMOTE POWER SUPPLY

- J Remote power supply provides additional driver options. See page 5 for maximum allowable wiring distance. Must be installed in an accessible location.**



POWER SUPPLY DIMENSIONS			
Model	A	B	C
IG	41mm	210mm	34mm
IN			
ID	76mm	130mm	30mm
DD			

# MONOPOINT INTERNATIONAL CM2 HANG STRAIGHT

## TECHNICAL

### CONSTRUCTION

**Monopoint:** Machined aluminum body; painted finishes are granulated powder coat; Alumina finishes are anodized aluminum.

### STATIC WHITE LED

2-step MacAdam ellipse LED module available in 80+, 90+ and 97+ CRI configurations in color temperatures of 2700K, 3000K, 3500K and 4000K. 3-step MacAdam ellipse LED module available in 90+ CRI configurations in color temperature of 2400K. Average rated lamp life of 50,000 hours.

### WARM DIM LED

3-step MacAdam ellipse warm dim LED module available in 90+ CRI configuration. 3000K or 2700K at full brightness, warming to 1800K at full dim. Average rated lamp life of 50,000 hours.

### TUNABLE WHITE LED

3-step MacAdam ellipse tunable white LED module available in 90+ CRI configuration. Features tuning ranges of 1800K to 4000K and 2700K to 5000K. Average rated lamp life of 50,000 hours.

### POWER SUPPLY PERFORMANCE AND DIMMING INFORMATION

Power Supply	PHASE		0-10V		DALI	
	IE	IG	IN	ID	DD	
Minimum °C	-20 °C	-20 °C	-20 °C	-20 °C	-20 °C	
Maximum °C	40 °C	40 °C	40 °C	40 °C	40 °C	
Dimming %	2.0%	0.1%	0.1%	0.1%	0.1%	

Note: For IG and IN drivers consult chart on page 6 to confirm appropriate dimming curve for compatibility with selected control.

### MAXIMUM ALLOWABLE REMOTE DRIVER WIRING DISTANCES

DRIVER	WIRE AWG				
	12	14	16	18	20
IG, IN, ID, DD	-	-	118'	72'	46'

### LISTING

Monopoints and drivers CE Listed for Dry / Damp locations. Integral drivers ENEC and CB Listed. NOM Certified.

### DECLARE

LBC Red List Approved.

### PART L

Part L compliant for all 75+ LPW residential and 95+ LPW commercial configurations.

### LIMITED WARRANTY

Manufacturer's Limited Warranty guarantees product(s) listed to be free from defects in material and workmanship under normal use and service for 1-year. LED and power supplies are warranted to operate with 70% of original flux and remain within a range of 3 duv for a period of 5-years. Warranty period begins from the date of shipment by Seller. [Consult website for full warranty terms and conditions.](#)

### CHANGE LOG

- 02/13/2024: ADDED TUNABLE WHITE OFFERING.
- 2/15/2024: PART L COMPLIANCE ADDED.
- 03/18/2024: UPDATED 10 DEGREE NARROW BEAM TO UTILIZE FILED REDUCER.
- 09/19/2024: UPDATED WITH NEW BAFFLE DESIGN.
- 05/07/2025: UPDATED WARM DIM OFFERING.



# MONOPOINT INTERNATIONAL CM2 HANG STRAIGHT

## DIMMING COMPATABILITY

### eldoLED DRIVER COMPATIBILITY

Power supply <b>IG</b> Manufacturer	Family/Model #
Busch-Jaeger	2112U-101
Jung	240-10
Leviton Lighting Controls	IP710-DLX
Lightolier Controls	ZP600FAM120
Merten	5729
Pass & Seymour	CD4FB-W
The Watt Stopper	DCLV1
Synergy	ISD BC
Crestron®	GLX-DIMFLV8
Crestron®	GLXP-DIMFLV8
Crestron®	GLPAC-DIMFLV4-*
Crestron®	GLPAC-DIMFLV8-*
Crestron®	GLPP-DIMFLVEX-PM
Crestron®	GLPP-1DIMFLV2EX-PM
Crestron®	GLPP-1DIMFLV3EX-PM
Crestron®	DIN-A08
Crestron®	DIN-4DIMFLV4
Crestron®	CLS-EXP-DIMFLV
Crestron®	CLCI-1DIMFLV2EX
Power supply <b>IN</b> Manufacturer	Family/Model #
Lutron Electronics	Nova T® - NTFTV
Lutron Electronics	Diva® - DDTV
Lutron Electronics	Nova® - NFTV
Lutron Electronics	GrafixEye® GRX-TVI w GRX3503
Lutron Electronics	Energy Savr Node™ - QSN-4T16-S
Lutron Electronics	TVM2 Module
Sensor Switch	nIO EZ
ABB	SD/S 2.16.1