

FRACTION3 REMODEL DEEP REGRESS

ACCESSORIES

ROUND / SQUARE TRANSITIONAL ALTERNATE MEDIA

IP20 Dry / Damp location only.
IP64 Wet location requires alternate baffle.

- CGL-F3RD** Clear Glass Lens*
*(Not available for Warm Dim)
- FGL-F3RD** Frosted Glass Lens
- SFL-F3RD** Soft Focus Lens
- FSFL-F3RD** Frosted Soft Focus Lens
- WDL-F3RD** Wide Distribution Lens*
- *(Required and only available for 80° beam spread)
- FLSL-F3RD** Frosted Linear Spread Lens

SQUARE ALTERNATE MEDIA

IP20 Dry / Damp location only.
IP64 Wet location requires alternate baffle.

- CGL-F3SD** Clear Glass Lens*
*(Not available for Warm Dim)
- FGL-F3SD** Frosted Glass Lens
- SFL-F3SD** Soft Focus Lens
- FSFL-F3SD** Frosted Soft Focus Lens
- WDL-F3SD** Wide Distribution Lens*
- *(Required and only available for 80° beam spread)
- FLSL-F3SD** Frosted Linear Spread Lens

ADJUSTABLE HCL ASSEMBLY

Dry / Damp location only.

OLR-F3RD1-SFL-HCL

Adjustable Honeycomb Louver and Soft Focus Lens*

*(Not available for IP64 Wet Location, 19W, Fixed Fixtures, or Warm Dim)

REPLACEMENT BAFFLE ASSEMBLY (INCLUDES MEDIA)

ASSEMBLY	SHAPE	TYPE	RATING	FINISH	MEDIA
RBA		AF			
REPLACEMENT BAFFLE ASSEMBLY	F3RD Round Deep Regress F3SD Square Deep Regress F3TD Square Transitional Deep Regress	AF Adjustable / Fixed	1 IP20 Dry/Damp 2 IP64 Wet* *(Requires provided suction cup to service or aim & focus)	WH White AB Architectural Bronze AG Satin Silver AU Cashmere Gold BB Burnt Bronze BK Black PR Primer CF Custom Finish * *(Consult Factory)	04 Soft Focus Lens* *(Required for 10° optic) 01 Honeycomb Louver* *(Not available for IP64 Wet Location, adjustable fixtures, or Warm Dim) 02 Clear Glass Lens* *(Not available for Warm Dim) 03 Frosted Glass Lens 05 Frosted Soft Focus Lens 06 Frosted Linear Spread Lens 07 Wide Distribution Lens* *(Required and only available for 80° optic) NL No Lens* *(Not available for IP64 Wet Location or Warm Dim)

DEEP REGRESS REPLACEMENT OPTICS

Interchangeable optics accessible through fixture aperture.

STATIC WHITE

- RO-35-15-S** 15° optic
- RO-35-25-S** 25° optic
- RO-35-35-S** 35° optic
- RO-35-50-S** 50° optic

WARM DIM

- RO-35-25-W** 25° optic
- RO-35-35-W** 35° optic
- RO-35-50-W** 50° optic

TUNABLE WHITE

- RO-35-15-T** 15° optic
- RO-35-25-T** 25° optic
- RO-35-35-T** 35° optic
- RO-35-50-T** 50° optic

REPLACEMENT SUCTION TOOL

One included with every six fixtures designated Wet location.

- F4-TOOL-SUCTION** Allows for removal of baffle with Wet location

EMERGENCY LIGHTING - REMOTE MOUNT ONLY

During disruption of main power, emergency battery inverter provides temporary 120V or 277V to fixture.

- EMB-S-25-120/277-LEDX** 25 watt max capacity, 120 or 277 VAC 60Hz, Non-Dimmable
- EMB-S-100-120-LEDX** 100 watt max capacity, 120 VAC 60Hz, 0-10V Dimmable
- EMB-S-100-277-LEDX** 100 watt max capacity, 277 VAC 60Hz, 0-10V Dimmable
- EMB-S-250-120/277-LEDX** 250 watt max capacity, 120 or 277 VAC 60Hz, 0-10V Dimmable

NOTE: SHUNT REQUIRED FOR USE WITH ATHENA AND CASAMBI CONTROLS, CONSULT FACTORY FOR DETAILS.

FRACTION3 REMODEL DEEP REGRESS



LUMEN PACKAGE	WATT-AGE	10° OPTIC FIELD REDUCER KIT		15° OPTIC SOFT FOCUS LENS		25° OPTIC SOFT FOCUS LENS		35° OPTIC SOFT FOCUS LENS		50° OPTIC SOFT FOCUS LENS		80° OPTIC SOFT FOCUS LENS	
		DLVD	LPW	DLVD	LPW	DLVD	LPW	DLVD	LPW	DLVD	LPW	DLVD	LPW
80S06D	06	-	-	527	88	524	87	477	80	500	83	430	72
80S09H	09	363	33	-	-	-	-	-	-	-	-	-	-
80S11D	11	-	-	848	77	842	77	768	70	805	73	692	63
80S15D	15	-	-	1129	75	1138	76	1038	69	1087	72	935	62
80S19D	19	-	-	1548	74	1537	73	1401	67	1468	70	1263	60
90S06D	06	-	-	446	74	443	74	404	67	423	71	364	61
90S09H	09	312	35	-	-	-	-	-	-	-	-	-	-
90S11D	11	-	-	718	65	713	65	650	59	681	62	585	53
90S15D	15	-	-	970	65	963	64	878	59	920	61	791	63
90S19D	19	-	-	1310	62	1300	62	1185	56	1242	59	1068	51
95S06D	06	-	-	396	66	393	66	358	60	375	63	323	54
95S09H	09	269	18	-	-	-	-	-	-	-	-	-	-
95S11D	11	-	-	637	58	632	57	576	52	604	55	519	47
95S15D	15	-	-	861	57	854	57	779	52	816	54	702	47
95S19D	19	-	-	1162	55	1153	55	1052	50	1102	52	948	45
90W11D (26K-18K)	11	-	-	-	-	489	44	446	41	467	42	402	37
90W11D (29K-18K)	11	-	-	-	-	495	45	451	41	473	43	407	37
90W16D (27K-18K)	16	-	-	-	-	684	43	623	39	653	41	562	35
90W16D (30K-18K)	16	-	-	-	-	693	43	632	40	662	41	570	36
90T10D (50K-27K)	10	-	-	662	66	657	66	586	59	623	62	674	67
90T10D (40K-18K)	10	-	-	752	75	746	75	667	67	708	71	766	77

MAX UNIFIED GLARE RATING

10° OPTIC NO LENS	15° OPTIC SOFT FOCUS LENS	20° OPTIC SOFT FOCUS LENS	35° OPTIC SOFT FOCUS LENS	50° OPTIC SOFT FOCUS LENS	80° OPTIC WIDE DISTRIBUTION
<10	<13	<13	<16	<19	>19

*UGR VALUES REFLECT WHITE BAFFLE AND 19 WATTS, LOWER UGR VALUES AVAILABLE WITH DIFFERENT FINISHES AND LOWER WATTAGES.

OUTPUT MULTIPLIER

CCT	CCT SCALE
2400K	0.85
2700K	0.97
3000K	1.00
3500K	1.03
4000K	1.08

TUNABLE WHITE MULTIPLIER

CCT	5000K-2700K	4000K-1800K
5000K	1.16	-
4000K	1.08	1.14
3500K	1.04	1.07
3000K	1.00	1.00
2700K	0.96	0.92
2400K	-	0.84
1800K	-	0.69

MEDIA LIGHT LOSS FACTOR

MEDIA	LIGHT LOSS FACTOR
NO LENS	1.06
CGL	1.00
SFL	1.00
FGL	0.89
FSFL	0.81
FSL	0.82

FRACTION3 REMODEL DEEP REGRESS

WARM DIM PERFORMANCE - 25° OPTIC - SOFT FOCUS LENS

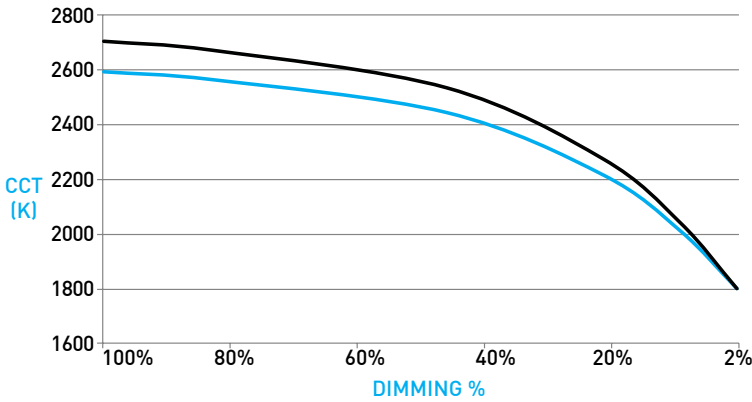
INCANDESCENT PROFILE

90W11DWL 2700K - 1800K	Full on 100%	Dimmed to 80%	Dimmed to 70%	Dimmed to 50%	Dimmed to 20%	Dimmed to 10%	Dimmed to 2%
CCT (K)	2600	2550	2520	2450	2200	1925	1800
Light Output (Lm)	489	391	342	244	97	48	9.7
Power (W)	11	8.8	7.7	5.5	2.2	1.1	0.22
Efficacy (LPW)	44	44	44	44	44	44	44
90W11DWL 2700K - 1800K	Full on 100%	Dimmed to 80%	Dimmed to 70%	Dimmed to 50%	Dimmed to 20%	Dimmed to 10%	Dimmed to 2%
CCT (K)	2700	2650	2620	2520	2180	1950	1800
Light Output (Lm)	684	547	478	342	136	68	13
Power (W)	16	12.8	11.2	8.0	3.2	1.6	0.32
Efficacy (LPW)	43	43	43	43	43	43	43

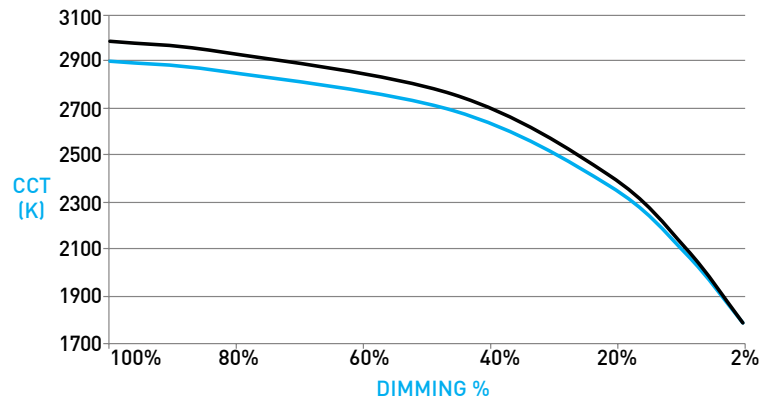
HALOGEN PROFILE

90W11DWD 3000K - 1800K	Full on 100%	Dimmed to 80%	Dimmed to 70%	Dimmed to 50%	Dimmed to 20%	Dimmed to 10%	Dimmed to 2%
CCT (K)	2900	2850	2800	2720	2350	1975	1800
Light Output (Lm)	495	396	346	247	99	49	9.9
Power (W)	11	8.8	7.7	5.5	2.2	1.1	0.22
Efficacy (LPW)	45	45	45	45	45	45	45
90W16DWD 3000K - 1800K	Full on 100%	Dimmed to 80%	Dimmed to 70%	Dimmed to 50%	Dimmed to 20%	Dimmed to 10%	Dimmed to 2%
CCT (K)	3000	2950	2920	2775	2375	2000	1800
Light Output (Lm)	693	554	485	346	138	69	13
Power (W)	16	12.8	11.2	8.0	3.2	1.6	0.32
Efficacy (LPW)	43	43	43	43	43	43	43

11W / 16W



11W / 16W



NOTE: LIN-TO-LIN 0-10V PAIRING NOT COMPATIBLE WITH WARM DIM.

FRAXION3 REMODEL DEEP REGRESS

DOWNLIGHT

A ADJUSTABILITY

Hot-aim tilt up to 40° and 361° rotation with Philips screwdriver, features 5° tilt increment indicators. Sliding pivot point optimizes center beam, ensuring unclipped beam of 15° at 40° tilt and 25° at 30° tilt.

B RETENTION

Integrated metal arm clamps located within fixture body allow discreet flange design, while accommodating varying ceiling thicknesses from 0.25" to 1.50". Snap-on spacer clips (2X) supplied for ceiling thickness below 0.50" only.

C OPTIC

Robust light engine with optimized optic pairing integrates Reflection, Refraction, and TIR offering wallwash, 10°, 15°, 25°, 35°, & 50° beams.

D 10° FIELD REDUCER

Provided with 10° optic. Pairs Soft Focus Lens, Field Reducer, and Honeycomb Louver to deliver tight 10° beam while reducing field angle by 30%.

E ADJUSTABLE HCL ASSEMBLY

Honeycomb Louver and Soft Focus Lens attach directly to optic with clip-on lens retainer and adjusts with fixture. Only compatible with no lens baffle. Dry/Damp locations only. Specified as "HS" Effects Device

F MICROFLANGE PROFILE

Provides industry standard 0.43" total contractor [goof] allowance with 0.27" flange. Thickness measures 1/16". IP64 Wet location features integral silicone gasket.

G TRIMLESS GYPSUM PROFILE

Installs totally flush with the ceiling with no visible trim. Features integrated appliqué for plaster floating directly to the baffle. Not recommended for stucco applications.

H EFFECTS DEVICES / LENS RETAINER

Fixture is limited to 1 effects device installed on the baffle, see Section D for Adjustable HCL assembly. Wet location effects device is sealed in place on baffle, suction tool provided for removal of baffle. Lens retainer allows effects devices to be changed in Dry /Damp locations.

I ROUND / SQUARE BAFFLE

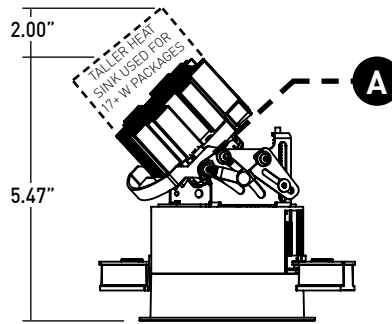
Die-cast removable baffle provides easy access to adjustment mechanisms for tilt and rotation. Features 60° glare cutoff, minimizing aperture glare and concealing view into housing. Includes gasket, mitigating light leak.

SQUARE TRANSITIONAL BAFFLE

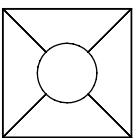
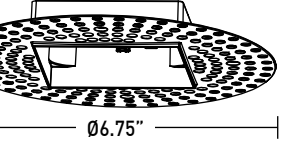
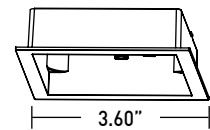
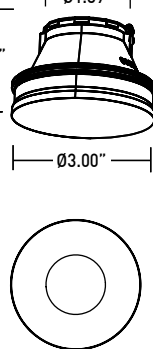
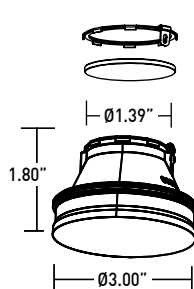
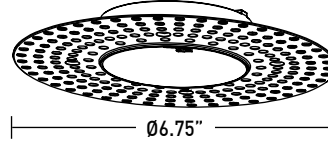
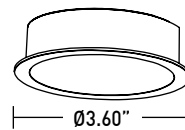
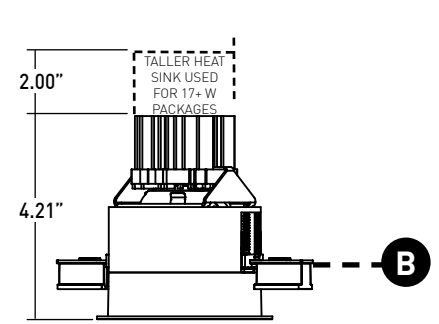
Transitions from square aperture at ceiling to round aperture at light source. Die-cast removable baffle provides easy access to adjustment mechanisms for tilt and rotation. Features 60° glare cutoff, minimizing aperture glare and concealing view into housing. Includes gasket, mitigating light leak.

DIMENSIONS / DRAWINGS

ADJUSTABLE DEEP REGRESS



FIXED DEEP REGRESS



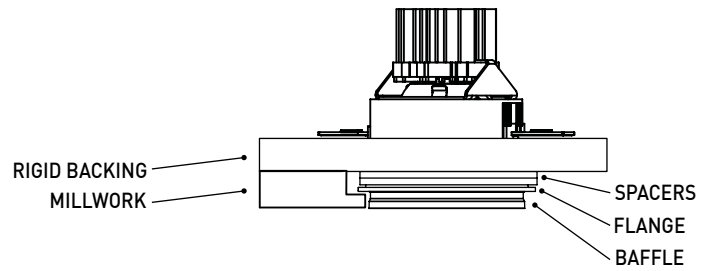
FRACTION3 REMODEL DEEP REGRESS

DOWNLIGHT

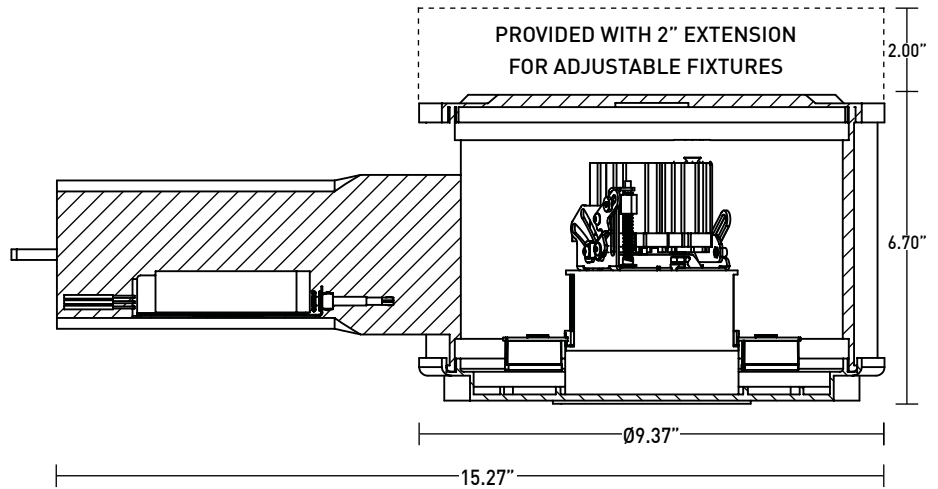
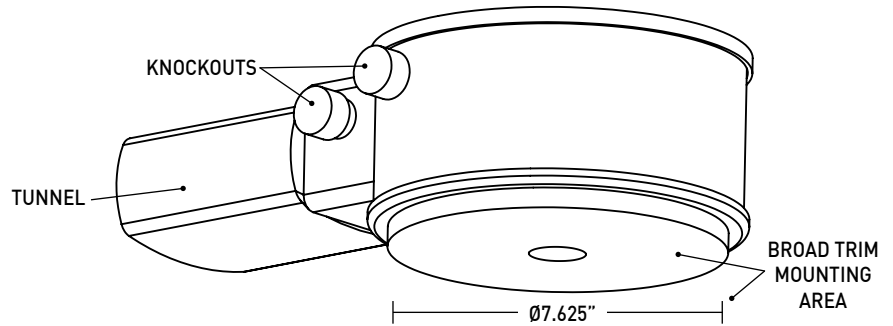
- J TRIMLESS MILLWORK PROFILE / SPACERS**
No visible flange, installs totally flush with millwork. Requires rigid backing for installation. Includes (1) 1/16" spacer and (5) 1/8" spacers.
- K CONCRETE POUR HOUSING / PROFILE**
 - Provided with install types "KC and KR".
 - Ships separate from downlight and power supply.
 - Features 4 conduit entries compatible with 3/4" and 1" ENT.
 - Includes tunnel to accommodate installation of power supply.
 - Features broad mounting tolerance area for trim location.

DIMENSIONS / DRAWINGS

J



K



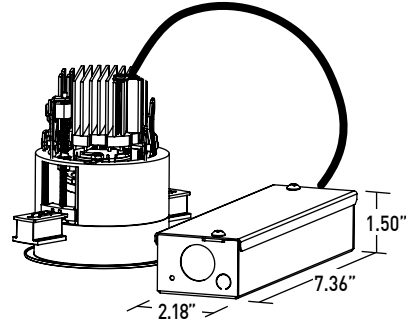
FRACTION3 REMODEL DEEP REGRESS

REMODEL POWER SUPPLY

L REMODEL WITH NON-IC TETHERED POWER SUPPLY

- Requires 3-3/8" cutout.
- Tethered power supply with protected wiring between fixture and power supply.
- Minimum 0.75" clearance from top of fixture.
- Minimum setback from combustible and non-combustible materials of 6.61" radius from fixture centerline; minimum 3.00" from surfaces of power supply if not situated within above noted radius from fixture centerline.
- Minimum additional 3.00" setback from insulation material with max R-Value 30 from any surface of downlight fixture assembly.
- Minimum additional 6.00" setback from polycell spray foam insulation with max R-Value 60 from any surface of downlight fixture assembly.
- Consult factory for spacing requirements for any installations exceeding R-Value 60.
- Do not install in environments where ambient temperatures exceed 40°C (104°F).

L

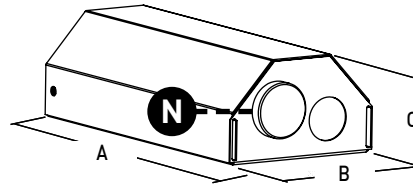


REMOTE POWER SUPPLY

M REMOTE APPLICATIONS

- Provided with install type "KR" and "RR".
- Requires plenum rated Class 2 cable between fixture and remote driver. Cable supplied by others.
- See page 8 for maximum allowable wiring distance.
- Must be installed in an accessible location.
- Do not install in environments where ambient temperatures exceed 40°C (104°F).

M



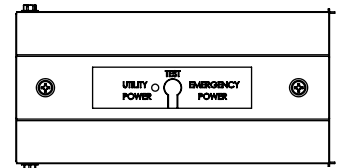
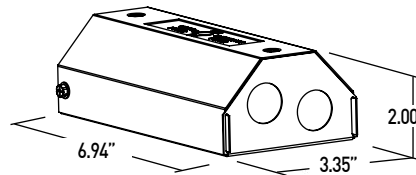
	A	B	C
STATIC WHITE / WARM DIM	6.94"	3.35"	2.00"
TUNABLE WHITE	8.10"	5.00"	2.00"
ATHENA / CASAMBI CONTROLLED	8.10"	5.00"	2.00"

REMOTE ELDOLED TUNABLE WHITE DRIVERS

TUNABLE WHITE REMOTE (120-277V)	
DG1	eldoLED, DUALdrive 0.1% 0-10V, LOG
DN1	eldoLED, DUALdrive 0.1% 0-10V, LIN
DD2	eldoLED, DUALdrive 0.1% DALI-2, LOG
AD1/ADR	Athena Control eldoLED, DUALdrive, 0.1%*
* (Includes Athena Node. Extended lead time, consult factory. ADR includes EM Shunt)	
CD1/CDR	Casambi Control eldoLED, DUALdrive, 0.1%*
* (Includes Casambi Node. Extended lead time, consult factory. CDR includes EM Shunt)	

O

ATHENA / CASAMBI EM SHUNT



N

ATHENA / CASAMBI CONTROL

Controls integrated into remote driver assembly. All equipment is serviceable.

O

ATHENA / CASAMBI EM SHUNT

Included with drivers specified as ASR, ATR, CSR, or CTR. One required for each wireless EM fixture, requires class 2 control wiring between fixture and shunt. Features integrated test switch.

Model Number: PS-RMT-SHUNT

FRACTION3 REMODEL DEEP REGRESS

TECHNICAL

CONSTRUCTION

Downlight: Painted finishes are granulated powder coat. Forged aluminum heat-sink.

Remote Power Supply: 22 Gauge galvanized steel.

Appliqué: Zinc alloy.

STATIC WHITE LED

2-step MacAdam ellipse LED module available in 80+, 90+ and 97+ CRI configurations in color temperatures of 2700K, 3000K, 3500K and 4000K. 3-step MacAdam ellipse LED module available in 90+ CRI configuration in color temperature of 2400K. Average rated lamp life of 50,000 hours. LED and driver assemblies are field-replaceable.

WARM DIM LED

3-step MacAdam ellipse warm dim LED module available in 90+ CRI configuration. 3000K or 2700K at full brightness, warming to 1800K at full dim. Average rated lamp life of 50,000 hours. LED and driver assemblies are field-replaceable.

TUNABLE WHITE LED

3-step MacAdam ellipse tunable white LED module available in 90+ CRI configuration. Features tuning ranges of 1800K to 4000K and 2700K to 5000K. Average rated lamp life of 50,000 hours. LED and driver assemblies are field-replaceable.

POWER SUPPLY PERFORMANCE AND DIMMING INFORMATION

	PHASE		0-10V					ECO	DALI-2		ATHENA		CASAMBI	
Power Supply	PH1	SG3	SN3	EG1	EN1	DG1	DN1	LP1	ED1	DD1	AS1	AD1	CS1	CD1
Minimum °C	-20 °C	-20 °C	-20 °C	-20 °C	-20 °C	-20 °C	-20 °C	0 °C	-20 °C	-20 °C	0 °C	0 °C	-20 °C	-20 °C
Maximum °C	40 °C	40 °C	40 °C	40 °C	40 °C	40 °C	40 °C	40 °C	40 °C	40 °C	40 °C	40 °C	40 °C	40 °C
Dimming %	2.0%	1.0%	1.0%	0.1%	0.1%	0.1%	0.1%	0.1%	0.1%	0.1%	0.1%	0.1%	0.1%	0.1%

Note: For PH1, LP1, EG1 and EN1 drivers consult chart on page 9 to confirm appropriate dimming curve for compatibility with selected control.

MAXIMUM ALLOWABLE REMOTE DRIVER WIRING DISTANCES

DRIVER	WIRE AWG				
	12	14	16	18	20
PH1	285'	180'	113'	71'	45'
LP1	60'	40'	25'	15'	-
EG1, EN1, ED1, DG1, DN1, DD2, AS1, AD1, CS1, CD1	-	-	118'	72'	46'

LISTING

UL listed to UL1598 standard for Dry / Damp and Wet locations. NEMA 410 Compliant.

BUY AMERICAN ACT

All Fraxion3 Remodel configurations are Buy American Act compliant.

DECLARE

LBC Red List Approved.

WEIGHT

Fixture - 3 lbs max

Remote Driver - 1.4 lbs

LIMITED WARRANTY

Manufacturer's Limited Warranty guarantees product(s) listed to be free from defects in material and workmanship under normal use and service for 1-year. LED and power supplies are warranted to operate with 70% of original flux and remain within a range of 3 duv for a period of 5-years. 10-year Lutron Advantage limited warranty available on Lutron equipped systems. Warranty period begins from the date of shipment by Seller. [Consult website for full warranty terms and conditions.](#)

FRACTION3 REMODEL DEEP REGRESS

DIMMING COMPATIBILITY

PHILIPS DRIVER COMPATIBILITY

Power supply PH1 Manufacturer	Family/Model #
Lutron Electronics	DV-600P
Lutron Electronics	DVELV-303P
Lutron Electronics	NTELV-600
Lutron Electronics	MAELV-600
Lutron Electronics	SELV-300P
Lutron Electronics	DVLV-600P
Lutron Electronics	NFTU-5A
Lutron Electronics	CTCL-153P
Lutron Electronics	GL-600H
Lutron Electronics	S-600P
Lutron Electronics	PHPM

LUTRON DRIVER COMPATIBILITY

Power supply LP1 Lutron Product Family	Part No.
PowPak Dimming Modules	RMJ-EC032-DV-B
PowPak Dimming Modules	FCJ/FCJS-ECO
Energi Savr Nodes	QSN-1ECO-S
GRAFIK Eye QS control unit Homeworks QS control unit	QSN-2ECO-S
GRAFIK Eye QS control unit Homeworks QS control unit	QSGRJ- _E (wireless) QSGR- _E
Quantum Hub	QP2-__ _2C
Quantum Hub	QP2-__ _4C
Quantum Hub	QP2-__ _6C
Quantum Hub	QP2-__ _8C
Homeworks QS power module myRoom Plus power module	LQSE-2ECO-D



eldoLED DRIVER COMPATIBILITY

Power supply EG1 / SG3 Manufacturer	Family/Model #
Busch-Jaeger	2112U-101
Jung	240-10
Leviton Lighting Controls	IP710-DLX
Lightolier Controls	ZP600FAM120
Merten	5729
Pass & Seymour	CD4FB-W
The Watt Stopper	DCLV1
Synergy	ISD BC
Crestron®	GLX-DIMFLV8
Crestron®	GLXP-DIMFLV8
Crestron®	GLPAC-DIMFLV4-*
Crestron®	GLPAC-DIMFLV8-*
Crestron®	GLPP-DIMFLVEX-PM
Crestron®	GLPP-1DIMFLV2EX-PM
Crestron®	GLPP-1DIMFLV3EX-PM
Crestron®	DIN-A08
Crestron®	DIN-4DIMFLV4
Crestron®	CLS-EXP-DIMFLV
Crestron®	CLCI-1DIMFLV2EX
Power supply EN1 / SN3 Manufacturer	Family/Model #
Lutron Electronics	Nova T® - NTFTV
Lutron Electronics	Diva® - DVTV
Lutron Electronics	Nova® - NFTV
Lutron Electronics	GrafixEye® GRX-TVI w GRX3503
Lutron Electronics	Energy Savr Node™ - QSN-4T16-S
Lutron Electronics	TVM2 Module
Sensor Switch	nIO EZ
ABB	SD/S 2.16.1

ANALOG DRIVERS AND DIMMERS

