

TRACK HEAD

CT1 ADJUSTABLE

PROJECT NAME:	TYPE:
---------------	-------



Highlight art, objects, places, spaces, seating areas, and architectural details with a classic profile that offers easy-to-adjust, in-field versatility.

ORDERING INFORMATION - TRACK HEAD



JA8-2019 COMPLIANCE INDICATED BY SHADING

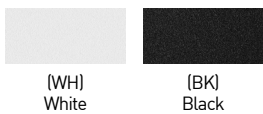
CYLINDER	FIXTURE	RATING	BODY FINISH	BAFFLE FINISH	ADAPTER FINISH	LUMEN PACKAGE	CCT	OPTIC	DRIVER	EFFECTS DEVICE
CT1		1							CE2	
CT1 2.60"	AD 60° Adjustable WM 60° Adjustable Wall Mount	1 Dry/Damp	POWDERCOAT WH White BK Black ALUMINA 01 Brushed Obsidian 02 Matte Obsidian 03 Brushed Dark Patinated Bronze 04 Matte Dark Patinated Bronze 05 Brushed Aged Aluminum 06 Matte Aged Aluminum 07 Brushed Cast Brass 08 Matte Cast Brass 09 Brushed Light Patinated Bronze 10 Matte Light Patinated Bronze	POWDERCOAT WH White BK Black ALUMINA CONSULT FACTORY FOR ALUMINA FINISHES	WH White BK Black	STATIC WHITE 80C12A 80+ CRI, Delivered Lumens - 867 90C10A 90+ CRI, Delivered Lumens - 743 97C09A 97+ CRI, Delivered Lumens - 653	22 2200K* 27 2700K 30 3000K 35 3500K 40 4000K	10 10°* 15 15° 22 22° 40 40° 60 60°	CE2 120V Electronic ELV / TRIAC Dimming	STANDARD EFFECTS DEVICE 4 Soft Focus Lens 0 No Lens* ALTERNATE EFFECTS DEVICE 2 Honeycomb Louver 3 Clear Glass Lens 5 Frosted Glass Lens 6 Frosted Soft Focus Lens 7 Frosted Linear Spread Lens S Soft Focus Lens w/ Honeycomb Louver F Frosted Glass Lens w/ Honeycomb Louver

*ALL DELIVERED LUMEN OUTPUTS AND T24 COMPLIANCE REFLECT 3000K PAIRED WITH 15° OPTIC AND SOFT FOCUS LENS.

PART NUMBER NOTES

- CT1 ships as e.g., CT1-AD-1-WHBK-90C10A2-3-CE2-4W

POWDERCOAT FINISHES



ALUMINA FINISHES BY LUCIFER LIGHTING™



*ALUMINA FINISHES ARE ANODIZED ALUMINUM

TRACK HEAD CT1 ADJUSTABLE

ACCESSORIES

ALTERNATE EFFECTS DEVICES

- HCL-CT1** Honeycomb Louver
- CGL-CT1** Clear Glass Lens
- SFL-CT1** Soft Focus Lens
- FGL-CT1** Frosted Glass Lens
- FSFL-CT1** Frosted Soft Focus Lens
- FLSL-CT1** Frosted Linear Spread Lens

REPLACEMENT OPTICS

- Interchangeable optics accessible by removing baffle.
- RO-50-15-2** 15° optic
 - RO-50-22-2** 22° optic
 - RO-50-40-2** 40° optic
 - RO-50-60-2** 60° optic

STATIC WHITE PERFORMANCE - 3000K - SOFT FOCUS LENS

LUMEN PACKAGE	WATTAGE	10° OPTIC NO SOFT FOCUS LENS		15° OPTIC SOFT FOCUS LENS		22° OPTIC SOFT FOCUS LENS		40° OPTIC SOFT FOCUS LENS		60° OPTIC SOFT FOCUS LENS	
		DELIVERED	LPW	DELIVERED	LPW	DELIVERED	LPW	DELIVERED	LPW	DELIVERED	LPW
80C12A	10	668	67	867	87	676	68	824	82	805	81
90C10A	10	566	57	743	77	579	58	706	71	690	69
97C09A	10	524	52	653	65	518	52	632	63	618	62



JA8-2019 INDICATED BY SHADING

OUTPUT MULTIPLIER	
CCT	CCT SCALE
2200K (Contact factory for JA8 details)	0.800
2700K	0.957
3000K	1.000
3500K	1.019
4000K	1.030

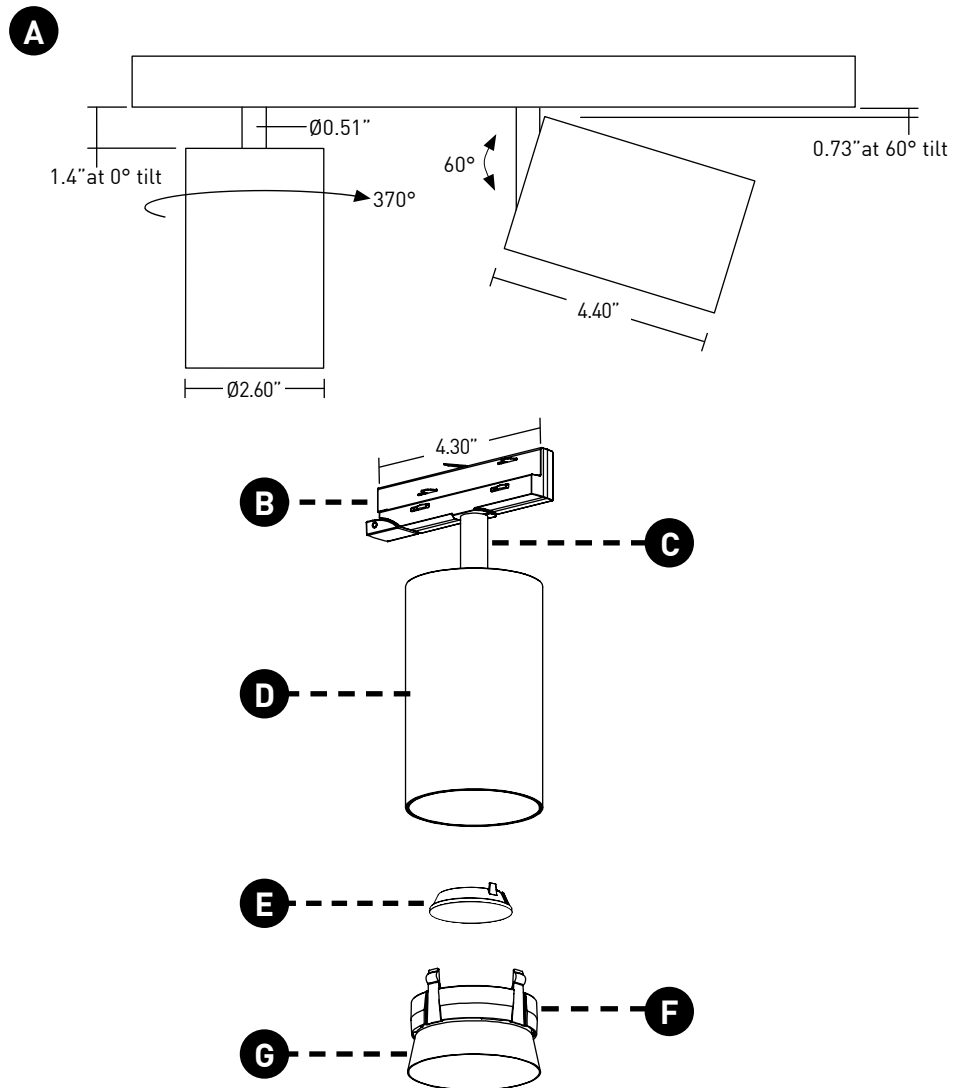
LIGHT LOSS FACTOR MULTIPLIER	
No Lens	1.05
CGL	1.00
SFL	1.00
FGL	0.90
FSFL	0.87
FLSL	0.83
HCL	0.67
SFL W/ HCL	0.59
FGL W/ HCL	0.56

TRACK HEAD CT1 ADJUSTABLE

TRACK HEAD

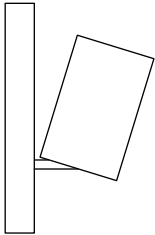
- A ADJUSTABILITY**
Power supply integrated into fixture body.
Up to 60° tilt and 370° rotation.
- B TRACK ADAPTER**
Proprietary asymmetric track adapter;
compatible with Lucifer Lighting track only.
Available in Black and White finishes to
match track systems.
- C STEM**
Available in powdercoat and Alumina
finishes; matches track head body.
- D BODY**
Available in powdercoat and Alumina
finishes.
- E OPTICS**
Optic integrates Reflection, Refraction and
TIR offering 10°, 15°, 22°, 40° & 60° beams.
- F EFFECTS DEVICES**
Track Head accepts 2 effects devices; Soft
Focus Lens standard.
- G BAFFLE**
Baffle minimizes aperture glare and
conceals view into fixture. Powdercoat
finishes standard, consult factory for
Alumina finishes.

DIMENSIONS / DRAWINGS



WALL MOUNT

- CT1 may be installed in vertical track or wall mounted. Must specify fixture as Wall Mount "WM".



TRACK HEAD CT1 ADJUSTABLE

TECHNICAL

CONSTRUCTION

Track Head: Machined aluminum body; painted finishes are granulated powder coat; Alumina finishes are anodized.

STATIC WHITE LED

2-step MacAdam ellipse LED module available in 80+, 90+ and 97+ CRI configurations in color temperatures of 2200K, 2700K, 3000K, 3500K and 4000K. Average rated lamp life: 50,000 hours.

POWER SUPPLY PERFORMANCE AND DIMMING INFORMATION

Power Supply	CE2
Minimum °C	-20 °C
Maximum °C	40 °C
Dimming %	3.0%

MOUNTING

Cylinder track head mounts to Lucifer Lighting Company recessed, surface or pendant mount track assemblies, specified separately.

LISTING

Listed to UL1574 standard for Dry locations.

LIMITED WARRANTY

Manufacturer's Limited Warranty guarantees product(s) listed to be free from defects in material and workmanship under normal use and service for 1-year. LED and power supplies are warranted to operate with 70% of original flux and remain within a range of 3 duv for a period of 5-years. Warranty period begins from the date of shipment by Seller. [Consult website for full warranty terms and conditions.](#)

CHANGE LOG

- 06/07/2022: ADDED ALUMINA FINISHES BY LUCIFER LIGHTING.
- 06/07/2022: TRACKHEAD NOW AVAILABLE WITH TWO EFFECTS DEVICES.
- 06/07/2022: ADDED WALL MOUNT TRACKHEAD.
- 06/07/2022: REMOVED 3200K-1800K WARM DIM AND ADDED 3000K-1800K WARM DIM.